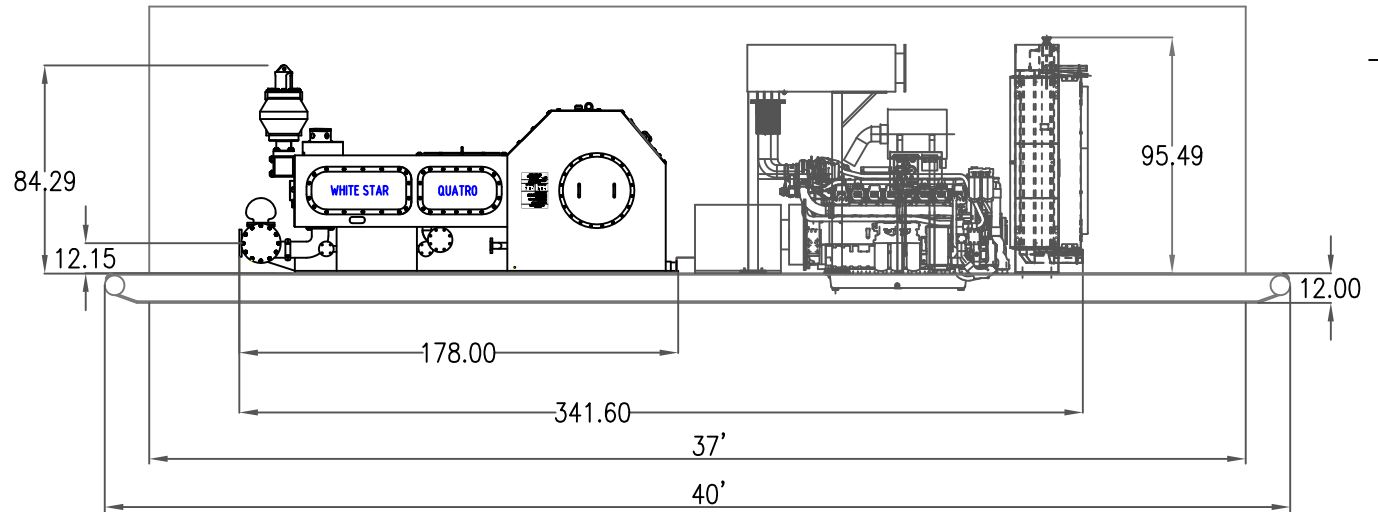
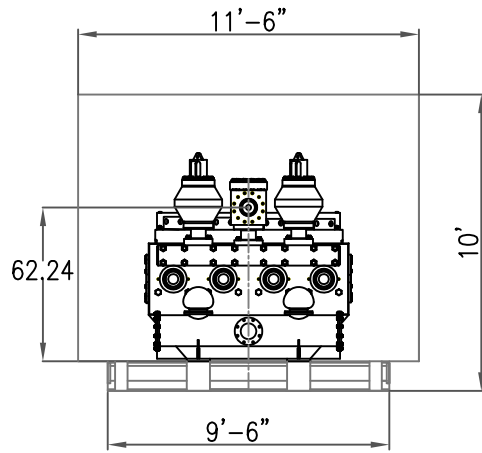
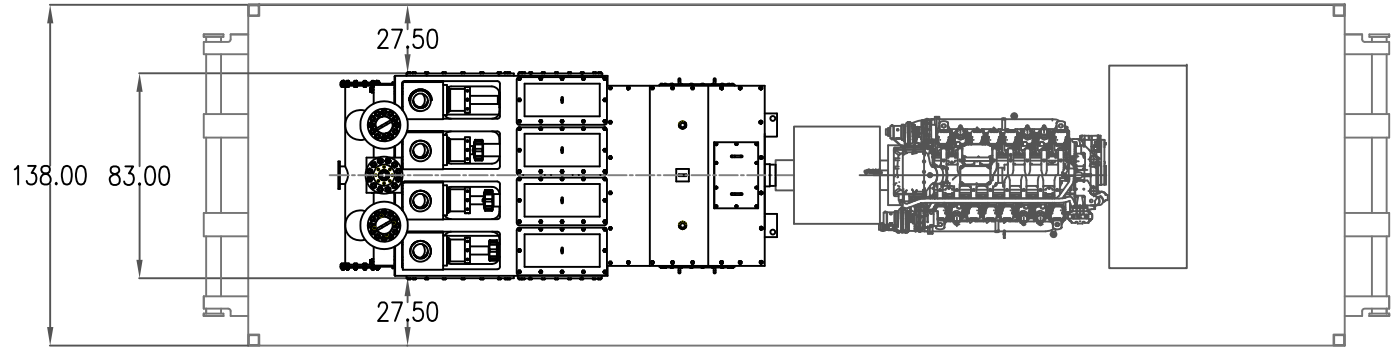


DRAWING NUMBER  
9772W-12V4000-2



PUMP HOUSE: 37' L X 11'-8" W X 10' H  
 QUATRO 1800 OVERAL : 178" L X 83" W X 84.3" H  
 WEIGHT W/O HOUSE AND SKID: 86600 LBS

| REV.                       | LOCATION | DESCRIPTION | DR.    | APPD.  | DATE   |
|----------------------------|----------|-------------|--------|--------|--------|
| TOLERANCE UNLESS SPECIFIED |          |             |        |        |        |
| ALL DIMENSIONS IN INCHES.  |          |             |        |        |        |
| 1/4                        | ±0.010   | ±0.005      | ±0.005 | ±0.005 | ±0.005 |
| 1/8                        | ±0.010   | ±0.005      | ±0.005 | ±0.005 | ±0.005 |
| 3/16                       | ±0.010   | ±0.005      | ±0.005 | ±0.005 | ±0.005 |
| 1/2                        | ±0.010   | ±0.005      | ±0.005 | ±0.005 | ±0.005 |
| 3/4                        | ±0.010   | ±0.005      | ±0.005 | ±0.005 | ±0.005 |
| 1                          | ±0.010   | ±0.005      | ±0.005 | ±0.005 | ±0.005 |
| 2                          | ±0.010   | ±0.005      | ±0.005 | ±0.005 | ±0.005 |
| 3                          | ±0.010   | ±0.005      | ±0.005 | ±0.005 | ±0.005 |
| 4                          | ±0.010   | ±0.005      | ±0.005 | ±0.005 | ±0.005 |
| 5                          | ±0.010   | ±0.005      | ±0.005 | ±0.005 | ±0.005 |
| 6                          | ±0.010   | ±0.005      | ±0.005 | ±0.005 | ±0.005 |
| 7                          | ±0.010   | ±0.005      | ±0.005 | ±0.005 | ±0.005 |
| 8                          | ±0.010   | ±0.005      | ±0.005 | ±0.005 | ±0.005 |
| 9                          | ±0.010   | ±0.005      | ±0.005 | ±0.005 | ±0.005 |
| 10                         | ±0.010   | ±0.005      | ±0.005 | ±0.005 | ±0.005 |
| 11                         | ±0.010   | ±0.005      | ±0.005 | ±0.005 | ±0.005 |
| 12                         | ±0.010   | ±0.005      | ±0.005 | ±0.005 | ±0.005 |
| 13                         | ±0.010   | ±0.005      | ±0.005 | ±0.005 | ±0.005 |
| 14                         | ±0.010   | ±0.005      | ±0.005 | ±0.005 | ±0.005 |
| 15                         | ±0.010   | ±0.005      | ±0.005 | ±0.005 | ±0.005 |
| 16                         | ±0.010   | ±0.005      | ±0.005 | ±0.005 | ±0.005 |
| 17                         | ±0.010   | ±0.005      | ±0.005 | ±0.005 | ±0.005 |
| 18                         | ±0.010   | ±0.005      | ±0.005 | ±0.005 | ±0.005 |
| 19                         | ±0.010   | ±0.005      | ±0.005 | ±0.005 | ±0.005 |
| 20                         | ±0.010   | ±0.005      | ±0.005 | ±0.005 | ±0.005 |
| 21                         | ±0.010   | ±0.005      | ±0.005 | ±0.005 | ±0.005 |
| 22                         | ±0.010   | ±0.005      | ±0.005 | ±0.005 | ±0.005 |
| 23                         | ±0.010   | ±0.005      | ±0.005 | ±0.005 | ±0.005 |
| 24                         | ±0.010   | ±0.005      | ±0.005 | ±0.005 | ±0.005 |
| 25                         | ±0.010   | ±0.005      | ±0.005 | ±0.005 | ±0.005 |
| 26                         | ±0.010   | ±0.005      | ±0.005 | ±0.005 | ±0.005 |
| 27                         | ±0.010   | ±0.005      | ±0.005 | ±0.005 | ±0.005 |
| 28                         | ±0.010   | ±0.005      | ±0.005 | ±0.005 | ±0.005 |
| 29                         | ±0.010   | ±0.005      | ±0.005 | ±0.005 | ±0.005 |
| 30                         | ±0.010   | ±0.005      | ±0.005 | ±0.005 | ±0.005 |
| 31                         | ±0.010   | ±0.005      | ±0.005 | ±0.005 | ±0.005 |
| 32                         | ±0.010   | ±0.005      | ±0.005 | ±0.005 | ±0.005 |
| 33                         | ±0.010   | ±0.005      | ±0.005 | ±0.005 | ±0.005 |
| 34                         | ±0.010   | ±0.005      | ±0.005 | ±0.005 | ±0.005 |
| 35                         | ±0.010   | ±0.005      | ±0.005 | ±0.005 | ±0.005 |
| 36                         | ±0.010   | ±0.005      | ±0.005 | ±0.005 | ±0.005 |
| 37                         | ±0.010   | ±0.005      | ±0.005 | ±0.005 | ±0.005 |
| 38                         | ±0.010   | ±0.005      | ±0.005 | ±0.005 | ±0.005 |
| 39                         | ±0.010   | ±0.005      | ±0.005 | ±0.005 | ±0.005 |
| 40                         | ±0.010   | ±0.005      | ±0.005 | ±0.005 | ±0.005 |
| 41                         | ±0.010   | ±0.005      | ±0.005 | ±0.005 | ±0.005 |
| 42                         | ±0.010   | ±0.005      | ±0.005 | ±0.005 | ±0.005 |
| 43                         | ±0.010   | ±0.005      | ±0.005 | ±0.005 | ±0.005 |
| 44                         | ±0.010   | ±0.005      | ±0.005 | ±0.005 | ±0.005 |
| 45                         | ±0.010   | ±0.005      | ±0.005 | ±0.005 | ±0.005 |
| 46                         | ±0.010   | ±0.005      | ±0.005 | ±0.005 | ±0.005 |
| 47                         | ±0.010   | ±0.005      | ±0.005 | ±0.005 | ±0.005 |
| 48                         | ±0.010   | ±0.005      | ±0.005 | ±0.005 | ±0.005 |
| 49                         | ±0.010   | ±0.005      | ±0.005 | ±0.005 | ±0.005 |
| 50                         | ±0.010   | ±0.005      | ±0.005 | ±0.005 | ±0.005 |
| 51                         | ±0.010   | ±0.005      | ±0.005 | ±0.005 | ±0.005 |
| 52                         | ±0.010   | ±0.005      | ±0.005 | ±0.005 | ±0.005 |
| 53                         | ±0.010   | ±0.005      | ±0.005 | ±0.005 | ±0.005 |
| 54                         | ±0.010   | ±0.005      | ±0.005 | ±0.005 | ±0.005 |
| 55                         | ±0.010   | ±0.005      | ±0.005 | ±0.005 | ±0.005 |
| 56                         | ±0.010   | ±0.005      | ±0.005 | ±0.005 | ±0.005 |
| 57                         | ±0.010   | ±0.005      | ±0.005 | ±0.005 | ±0.005 |
| 58                         | ±0.010   | ±0.005      | ±0.005 | ±0.005 | ±0.005 |
| 59                         | ±0.010   | ±0.005      | ±0.005 | ±0.005 | ±0.005 |
| 60                         | ±0.010   | ±0.005      | ±0.005 | ±0.005 | ±0.005 |
| 61                         | ±0.010   | ±0.005      | ±0.005 | ±0.005 | ±0.005 |
| 62                         | ±0.010   | ±0.005      | ±0.005 | ±0.005 | ±0.005 |
| 63                         | ±0.010   | ±0.005      | ±0.005 | ±0.005 | ±0.005 |
| 64                         | ±0.010   | ±0.005      | ±0.005 | ±0.005 | ±0.005 |
| 65                         | ±0.010   | ±0.005      | ±0.005 | ±0.005 | ±0.005 |
| 66                         | ±0.010   | ±0.005      | ±0.005 | ±0.005 | ±0.005 |
| 67                         | ±0.010   | ±0.005      | ±0.005 | ±0.005 | ±0.005 |
| 68                         | ±0.010   | ±0.005      | ±0.005 | ±0.005 | ±0.005 |
| 69                         | ±0.010   | ±0.005      | ±0.005 | ±0.005 | ±0.005 |
| 70                         | ±0.010   | ±0.005      | ±0.005 | ±0.005 | ±0.005 |
| 71                         | ±0.010   | ±0.005      | ±0.005 | ±0.005 | ±0.005 |
| 72                         | ±0.010   | ±0.005      | ±0.005 | ±0.005 | ±0.005 |
| 73                         | ±0.010   | ±0.005      | ±0.005 | ±0.005 | ±0.005 |
| 74                         | ±0.010   | ±0.005      | ±0.005 | ±0.005 | ±0.005 |
| 75                         | ±0.010   | ±0.005      | ±0.005 | ±0.005 | ±0.005 |
| 76                         | ±0.010   | ±0.005      | ±0.005 | ±0.005 | ±0.005 |
| 77                         | ±0.010   | ±0.005      | ±0.005 | ±0.005 | ±0.005 |
| 78                         | ±0.010   | ±0.005      | ±0.005 | ±0.005 | ±0.005 |
| 79                         | ±0.010   | ±0.005      | ±0.005 | ±0.005 | ±0.005 |
| 80                         | ±0.010   | ±0.005      | ±0.005 | ±0.005 | ±0.005 |
| 81                         | ±0.010   | ±0.005      | ±0.005 | ±0.005 | ±0.005 |
| 82                         | ±0.010   | ±0.005      | ±0.005 | ±0.005 | ±0.005 |
| 83                         | ±0.010   | ±0.005      | ±0.005 | ±0.005 | ±0.005 |
| 84                         | ±0.010   | ±0.005      | ±0.005 | ±0.005 | ±0.005 |
| 85                         | ±0.010   | ±0.005      | ±0.005 | ±0.005 | ±0.005 |
| 86                         | ±0.010   | ±0.005      | ±0.005 | ±0.005 | ±0.005 |
| 87                         | ±0.010   | ±0.005      | ±0.005 | ±0.005 | ±0.005 |
| 88                         | ±0.010   | ±0.005      | ±0.005 | ±0.005 | ±0.005 |
| 89                         | ±0.010   | ±0.005      | ±0.005 | ±0.005 | ±0.005 |
| 90                         | ±0.010   | ±0.005      | ±0.005 | ±0.005 | ±0.005 |
| 91                         | ±0.010   | ±0.005      | ±0.005 | ±0.005 | ±0.005 |
| 92                         | ±0.010   | ±0.005      | ±0.005 | ±0.005 | ±0.005 |
| 93                         | ±0.010   | ±0.005      | ±0.005 | ±0.005 | ±0.005 |
| 94                         | ±0.010   | ±0.005      | ±0.005 | ±0.005 | ±0.005 |
| 95                         | ±0.010   | ±0.005      | ±0.005 | ±0.005 | ±0.005 |
| 96                         | ±0.010   | ±0.005      | ±0.005 | ±0.005 | ±0.005 |
| 97                         | ±0.010   | ±0.005      | ±0.005 | ±0.005 | ±0.005 |
| 98                         | ±0.010   | ±0.005      | ±0.005 | ±0.005 | ±0.005 |
| 99                         | ±0.010   | ±0.005      | ±0.005 | ±0.005 | ±0.005 |
| 100                        | ±0.010   | ±0.005      | ±0.005 | ±0.005 | ±0.005 |

|             |                 |                     |    |             |  |
|-------------|-----------------|---------------------|----|-------------|--|
| SCALE       |                 | SERIAL              |    | DRAWN BY    |  |
| 1           | 1               | QUATRO 1800         | 2P |             |  |
| TOTAL PAGES |                 | PAGE NO.            |    | APPROVED BY |  |
| 1           | 1               | QUATRO 1800-16V4000 |    |             |  |
| DATE        |                 | DRAWING NUMBER      |    | REV.        |  |
| 1/28/2011   | 9772W-12V4000-2 |                     |    | 0           |  |