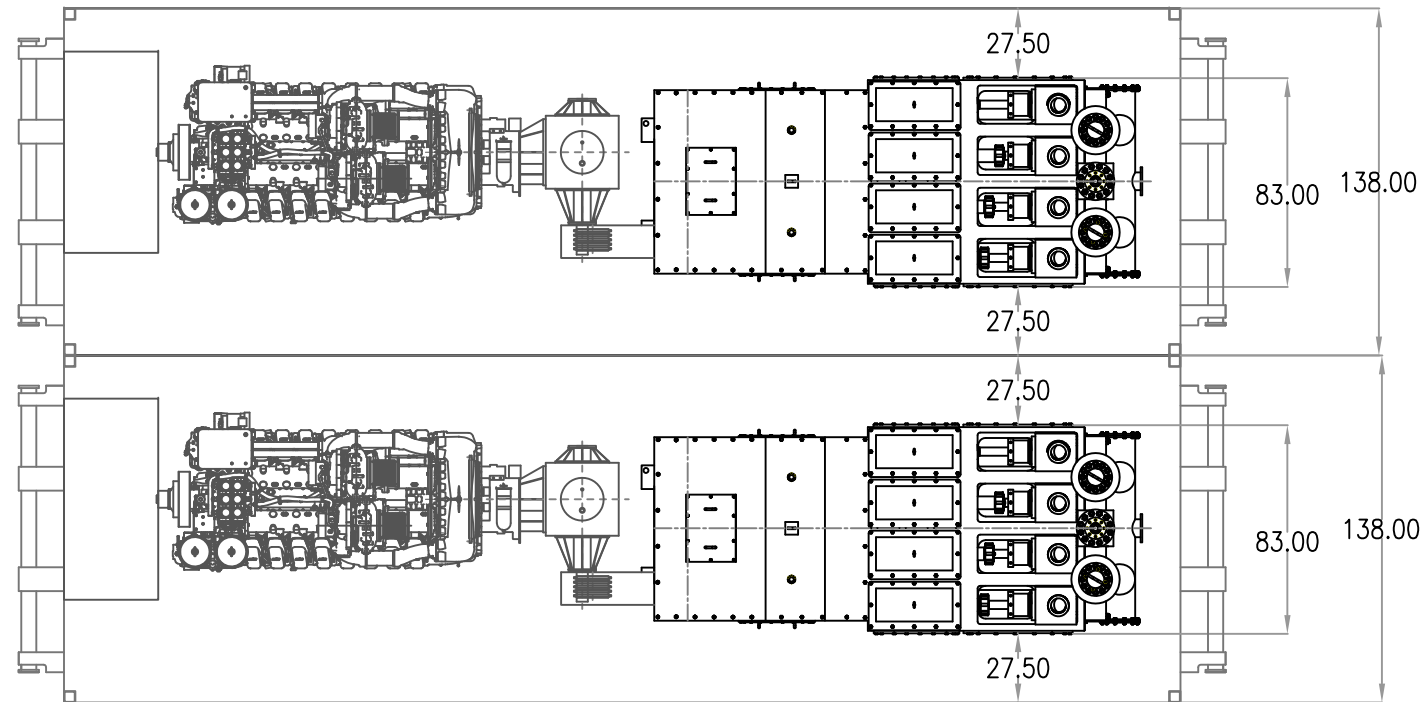
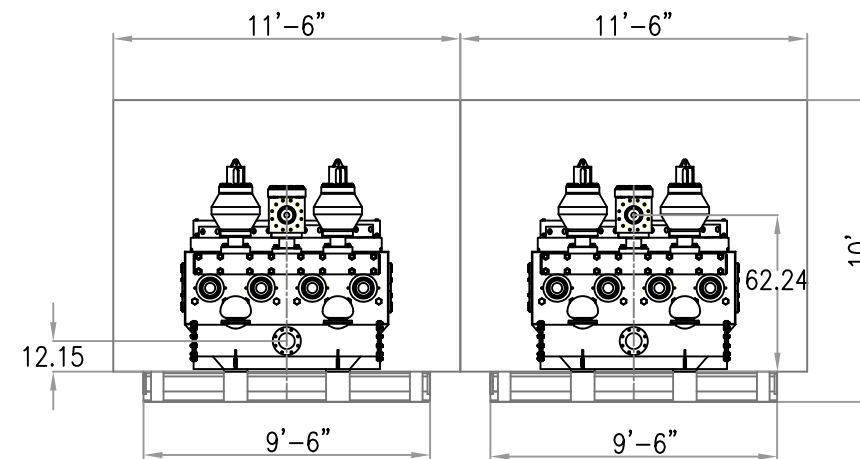
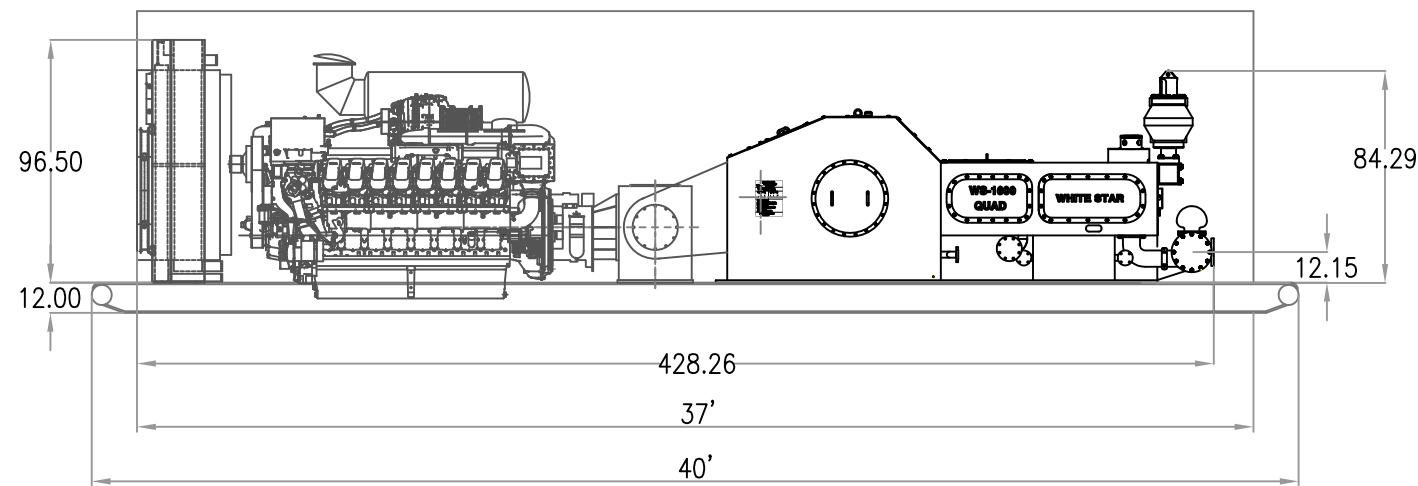


DRAWING NUMBER
9772-16V4000-RA-2



PUMP HOUSE: 37' L X 11'-8" W X 10' H
 QUATRO 2450 OVERAL : 193.5" L X 83" W X 84.3" H
 WEIGHT W/O HOUSE AND SKID: 73644 LBS



REV.	LOCATION	DESCRIPTION	DR.	APPD.	DATE
TOLERANCE UNLESS SPECIFIED					
ALL DIMENSIONS IN INCHES.					
.X	±0.025	1/25	FRACTION	±1/32	BREAK EDGES .03
.XX	±0.010	1/25	ANGLE	±0.5°	DEBURR .015 MAX
.XXX	±0.005	1/25	RADII	.03	CONC. .010 T.I.R.
SCALE		WEIGHT	MATERIAL	DRAWN BY ZP	
1			QUATRO 1800	APPROVED BY	
TOTAL PAGES		PAGE NO.	QUATRO 1800-16V4000		
1		1	PUMP HOUSE LAYOUT		
DATE		DRAWING NUMBER		REV.	
1/28/2011		9772-16V4000-RA-2		0	



THIS DRAWING AND DATA EMBODY PROPRIETARY INFORMATION WHICH IS THE CONFIDENTIAL PROPERTY OF WHITE STAR PUMP CO., AND WHICH SHALL NOT BE COPIED, REPRODUCED, DISCLOSED TO OTHERS, OR USED IN WHOLE OR PART FOR ANY PURPOSE WITHOUT THE EXPRESS WRITTEN PERMISSION OF WHITE STAR PUMP CO. THIS DRAWING IS LOANED IN CONFIDENCE WITH THE UNDERSTANDING THAT IT SHALL BE RETURNED ON DEMAND.