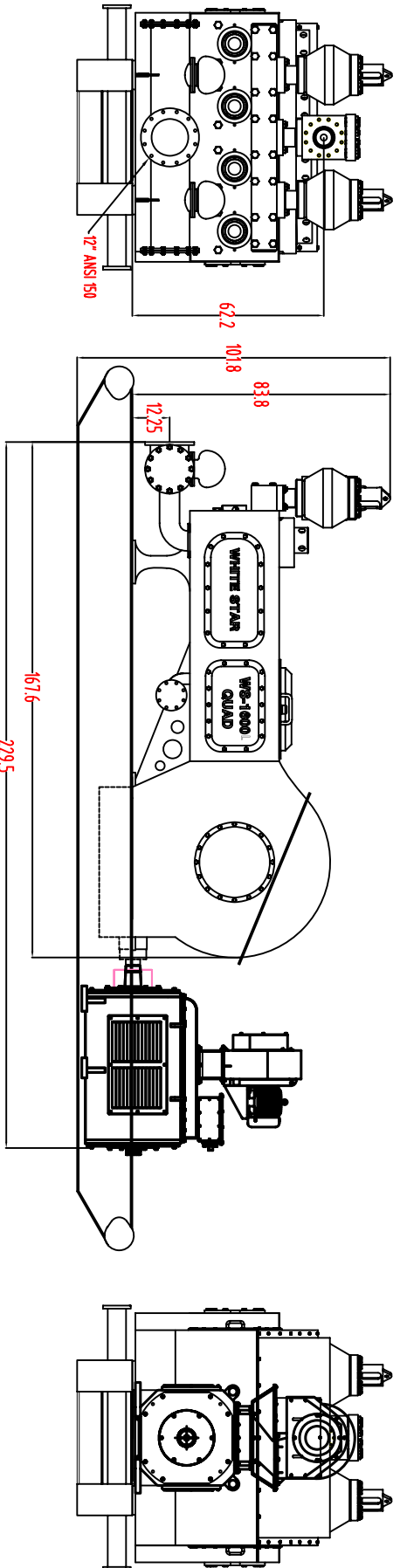
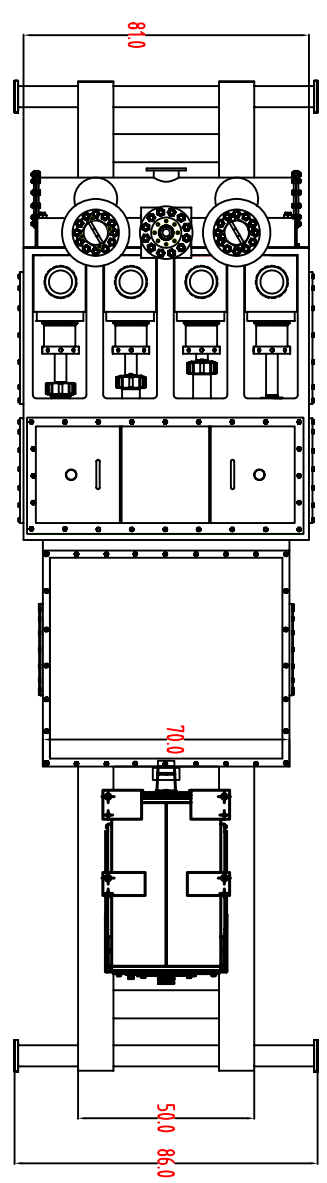


DRAWING NUMBER  
9772-1600L-W-000



Pump Overall Dimension: 185.5" x 83" x 84"  
Dimensions are for reference only and may be subject to change by White Star pump Co.

TOLERANCE UNLESS SPECIFIED			
ALL DIMENSIONS IN INCHES.			
X 40.005	125°	FRACTION 41/252	BREAK EDGES .03
200 40.010	125°	ANGLE 40.5°	DEBARR .015 MAX
300 40.005	125°	RADIUS .03	CONC. .010 T.I.R.
<small>PERMISSION TO COPY THIS DRAWING FOR PERSONAL OR COMPANY USE IS GRANTED BY WHITE STAR PUMP CO. ANY OTHER REPRODUCTION OR DISTRIBUTION OF THIS DRAWING WITHOUT THE WRITTEN PERMISSION OF WHITE STAR PUMP CO. IS STRICTLY PROHIBITED. THIS DRAWING IS THE PROPERTY OF WHITE STAR PUMP CO. AND IS TO BE KEPT IN CONFIDENCE WITHIN THE COMPANY AND NOT TO BE REPRODUCED OR DISTRIBUTED OUTSIDE THE COMPANY WITHOUT THE WRITTEN PERMISSION OF WHITE STAR PUMP CO.</small>			
DATE	SCALE	REVISION	AUTHOR
4/3/2012	1:1	33,480	Z.P.
	TOTAL PAGES	PAGE NO.	APPROVED BY
	1	1	SHW
			QUATRO 1600L WORM DRIVE
			DRAWING TITLE
			9772-1600L-W-000
			REV. 1

**WHITE STAR PUMP CO.**