



**PARTS BOOK**  
**TRIPLEX MUD PUMP**  
**WS-1300T**



**White Star Pump Co.**  
22718 Commercial Lane, Tomball, Texas 77375  
2010



For parts and service contact



## **White Star sales office**

**22718 Commercial Lane, Tomball, Texas 77375  
Tel: 281-357-4999 Fax: 281-357-1699**

**[sales@whitestarpump.com](mailto:sales@whitestarpump.com)**

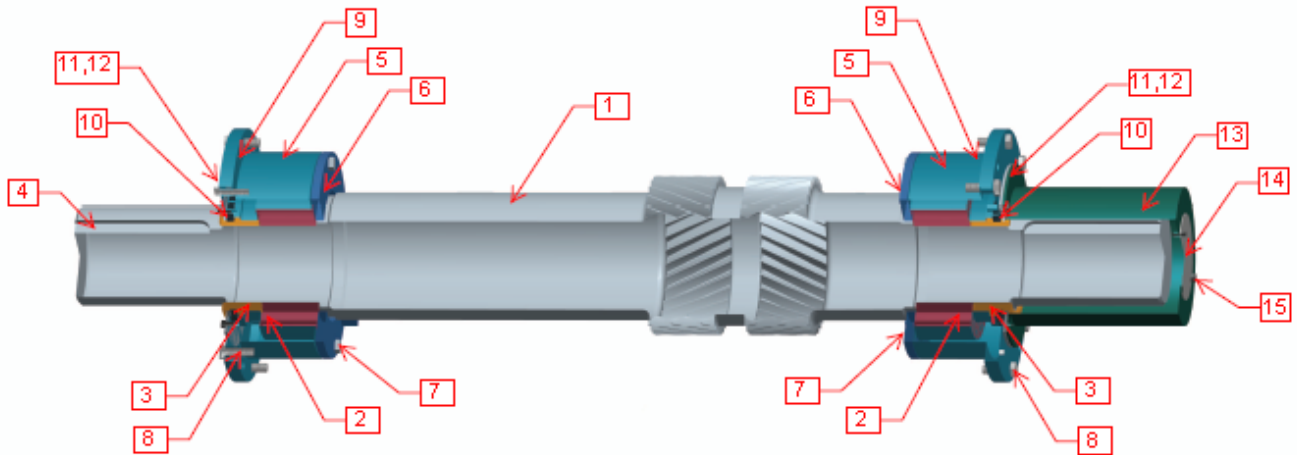
**or**

**Contact Our Sales Representative  
In Your Area**

**CONTENT**

<b>SECTION</b>	<b>ASSEMBLY</b>	<b>PAGE</b>
1	PINION ASSEMBLY	3
2	CRANKSHAFT ASSEMBLY	4
3	CROSSHEAD ASSEMBLY	5
4	STRIPPER BOX ASSEMBLY	6
5	FLUID END ASSEMBLY	7
6	FLUID MODULE	8
7	SUCTION MANIFOLD ASSEMBLY	10
8	STRAINER CROSS ASSEMBLY	11
9	PULSATION DAMPENER	12
10	LUBRICATION SYSTEM	13

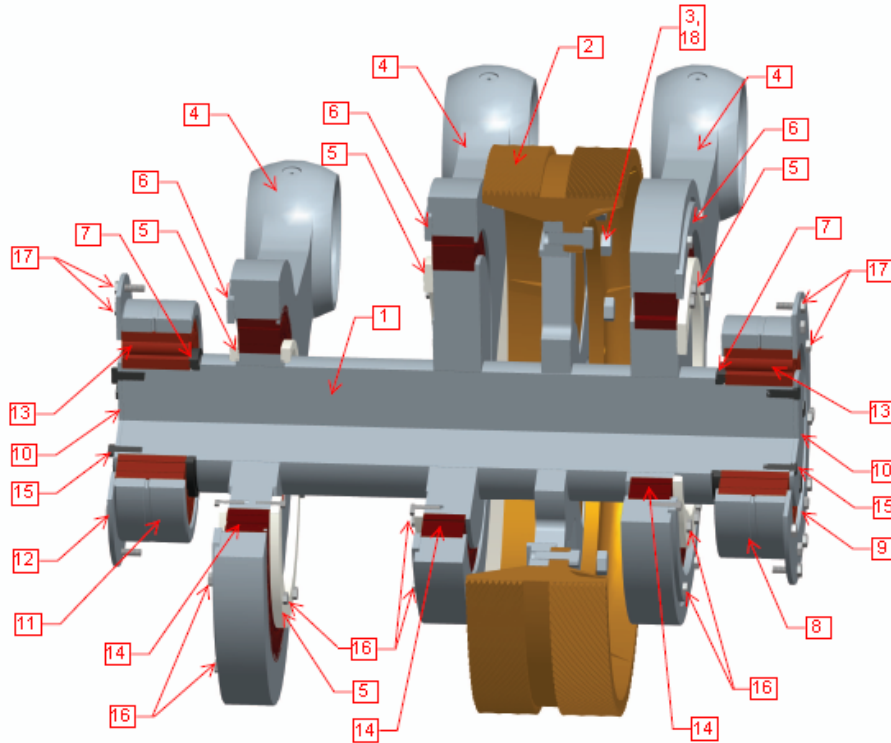
**SECTION 1 PINION ASSEMBLY**



ITEM NO.	PART NO.	WT. EA	DESCRIPTION	QTY
1	723-1	2311	PINION SHAFT	1
2	202-2192	106	PINION BEARING	2
3	726-1-5	23.5	PINION OIL SEAL RACE	2
4	726-1-K	7	KEY 2" X 1" X 11" LONG	1
5	726-001-02	270	PINION BEARING HOUSING	2
6	726-001-01	33	PINION BEARING RETAINER	2
7	726-1-1-HB		HEX HEAD BOLT	16
8	726-1-2-HB		HEX HEAD BOLT W/LOCK WASHER	16
9	726-1-2-G		PINION GASKET	2
10	726-1-2-SL		PINION OIL SEAL	2
11	726-1-8		PINION SEAL RETAINING RING	2
12	726-1-8-HB		HEX BOLT	8
13	726-1-9	10.7	PINION SHAFT COVER	1
14	726-1-9-1		END SWING PLATE (c/w pinion shaft cover)	1
15	726-1-9-1-HB		HEX BOLT W/NUT	1

APPROXIMATE FINISHED WEIGHT OF ASSEMBLY = 3193 LBS \*UNITS IN LBS

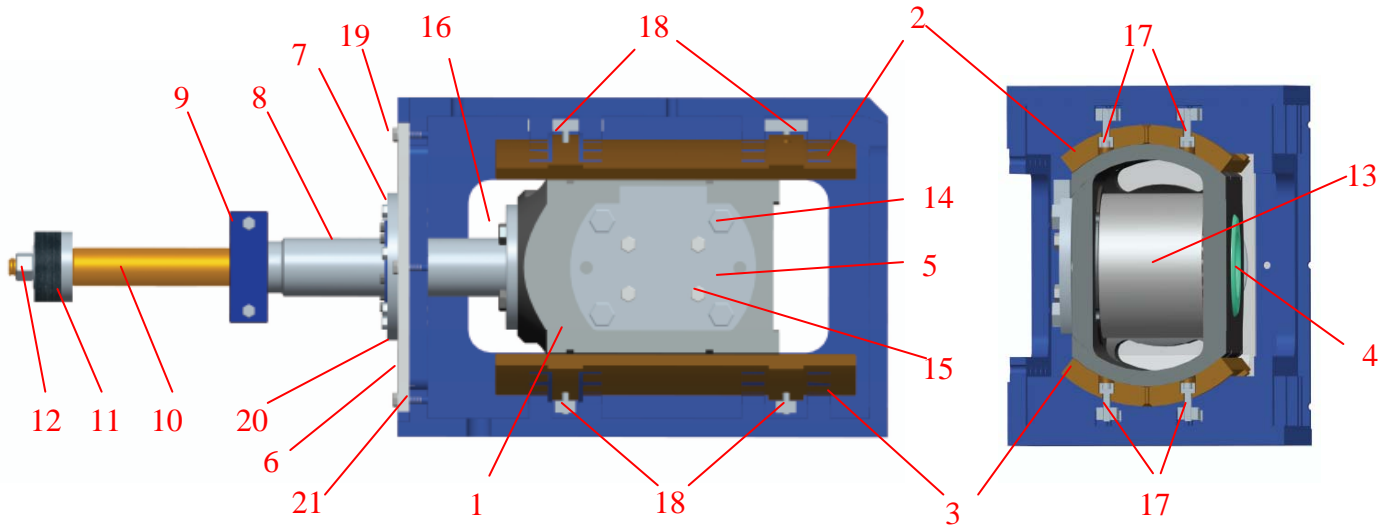
**SECTION 2 CRANKSHAFT ASSEMBLY**



ITEM NO.	PART NO.	WT. EA	DESCRIPTION	QTY
1	726-003	5522	CRANKSHAFT	1
2	723-2	1707	BULL GEAR	1
3	726-2-HB		HEX BOLT	16
4	723-4	1309	CONNECTING ROD	3
5	726-3-27	88	INTERNAL RETAINING RING	4
6	723-3-25	74.8	EXTERNAL RETAINING RING	3
7	726-3-28	11	SPACER	2
8	723-3-23	237.6	FIXED BEARING CARRIAGE	1
9	723-3-21	48.4	FIXED BEARING RETAINING RING	1
10	726-3-20	19.8	RETAINER PLATE	2
11	723-3-24	231	FLOATING BEARING CARRIAGE	1
12	723-3-26	55	FLOATING BEARING RETAINING RING	1
13	201-2202	384	MAIN BEARING	2
14	202-2181	411	ECCENTRIC BEARING	3
15	726-3-20-HB		HEX HEAD BOLT W/LCK WASHER	8
16	726-3-27-HB		HEX HEAD BOLT W/LOCK WASHER	56
17	726-3-23-HB		HEX HEAD BOLT W/LOCK WASHER	32
18	726-2-HN		HEAD BOLT, C/W LOCK WASHER	32
19			1/16" DIA, WIRE (LENGTH AS REQUIRED)	

APPROXIMATE FINISHED WEIGHT OF ASSEMBLY = 14370 LBS \*UNITS IN LBS

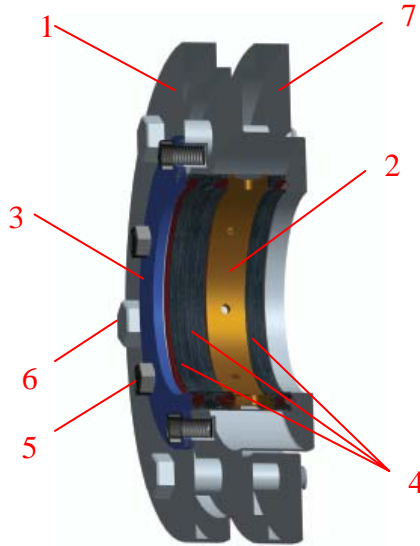
**SECTION 3 CROSSHEAD ASSEMBLY**



ITEM	PART NO.	WT. EA	DESCRIPTION	QTY
1	726-006	578.6	CROSSHEAD	3
2	726-6-1-1	154	CROSSHEAD TOP GUIDE	3
3	726-6-1-2	154	CROSSHEAD BOTTOM GUIDE	3
4	726-004-01	169.4	WRIST PIN	3
5	726-6-9	39.6	WRIST PIN RETAINER PLATE	3
6	726-6-2	15	STRIPPER BOX SUPPORT PLATE	3
7	726-6-4-000	44	STRIPPER BOX ASSEMBLY	3
8	726-6-7	140.8	EXTENSION ROD	3
9	726-6-10	48.4	ROD CLAMP	3
10	726-6-8	41.8	PISTON ROD	3
11	726-6-8-X*	10	PISTON	3
12	726-6-8-1-1	1	PISTON LOCKING NUT	3
13	202-2195	99.4	BEARING	3
14	726-6-9-HB		HEX BOLT C/W LOCK WASHER	12
15	726-4-1-HB		HEX BOLT C/W LOCK WASHER	12
16	726-6-7-HB		HEX BOLT	12
17	726-6-11-SB		SOCKET BOLT	24
18	726-6-11	3.3	TAP PAD	24
19	720-6-3-HB		HEX BOLT C/W WASHER	24
20	720-6-4-G		STRIPPER BOX GASKET	3
21	720-6-2-G		STRIPPER BOX SUPPORT PLATE GASKET	3

APPROXIMATE FINISHED WEIGHT OF ASSEMBLY = 4340 LBS \*UNITS IN LBS

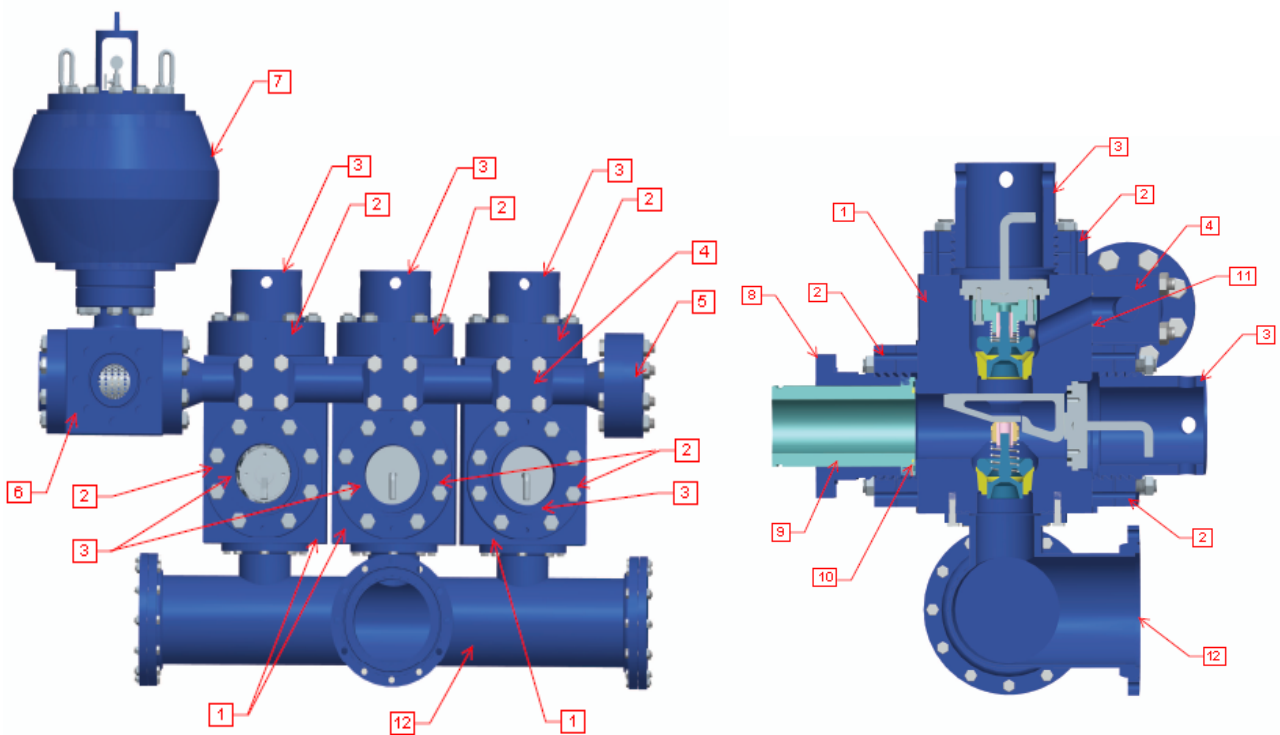
**SECTION 4 STRIPPER BOX ASSEMBLY**  
**726-6-4-000**



ITEM	PART NO.	WT. EA	DESCRIPTION	QTY
1	726-6-4	44	STRIPPER BOX	3
2	726-6-6	1.5	LANTERN RING	3
3	726-6-5	2	PACKING RETAINING RING	3
4	726-6-4-SL		PACKING SEALS	9
5	726-6-5-HB		HEX BOLT	18
6	726-6-7-HB		HEX BOLT	18
7	726-6-3	20	STRIPPER BOX RETAINING RING	3

APPROXIMATE FINISHED WEIGHT OF ASSEMBLY = 70 LBS EACH SET, 210 LB TOTAL PER PUMP. \*UNITS IN LBS

**SECTION 5 FLUID END ASSEMBLY**

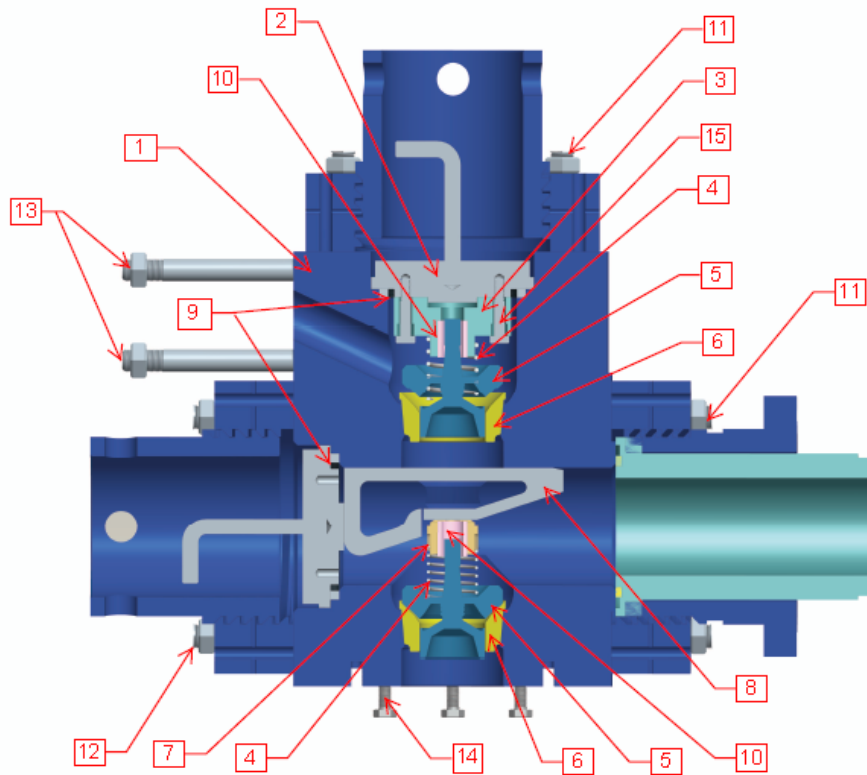


ITEM NO.	PART NO.	WT. EA	DESCRIPTION	QTY
1	726-A-25-000	2650	FLUID END MODULE ASSEMBLY	3
2	726-F-001	198	THREADED RING	9
3	726-F-002	121	THREADED PLUG RETAINER	6
4	726-A-4	983	DISCHARGE MANIFOLD	1
5	726-A-7	167.2	BLANK FLANG, 3"X5000 PSI	1
6	726-A-2-000	855.8	STRAINER CROSS ASSEMBLY	1
7	726-A-11-000	2370	PULSATION DAMPENER ASSEMBLY	1
8	726-F-003	148.5	THREADED LINER RETAINER	3
9	726-F-2-X		LINER	3
10	726-004-1		LINER SEAL	3
11	726-A-4-SL		DISCHARGE SEAL	3
12	726-A-1	738	SUCTION MANIFOLD	1

APPROXIMATE FINISHED WEIGHT OF ASSEMBLY = 16140 LBS \*UNITS IN LBS



**SECTION 6 FLUID MODULE ASSEMBLY  
726-F-25-000**



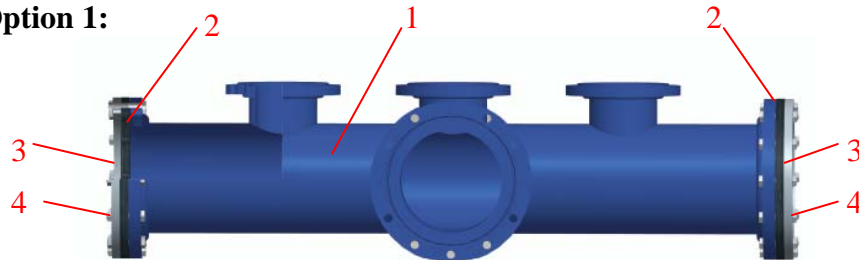
ITEM NO.	PART NO.	WT. EA	DESCRIPTION	QTY
1	726-F-025	2235	FLUID END MODULE	3
2	726-F-004	44	CYLINDER HEAD PLUG	6
3	726-F-007	24.4	TOP VALVE GUIDE	3
4	726-F-72-2	0.5	SPRING, API #7	6
5	726-F-72-FO	29.7	VALVE, API#7	6
6	726-F-73-FO	24	VALVE SEAT, API #7	6
7	726-F-006	6	LOWER VALVE GUIDE	3
8	726-F-005	7.7	LOWER VALVE GUIDE RETAINER	3
9	726-f-004-1	0.2	PLUG SEAL	6
10	726-F-72-1		VALVE INSERT	6
11	726-F-2-ST	5	STUD, C/W HEX NUT, LOCK WASHER	48
12	726-F-3-ST	9.5	STUD, C/W HEX NUT & LOCK WASHER	24
13	726-A-4-ST	11	STUD, C/W HEX NUT & LOCK WASHER	12
14	726-F-25-1		STUD, C/W HEX NUT & LOCK WASHER	24

APPROXIMATE FINISHED WEIGHT OF ASSEMBLY = 7950 LBS \*UNITS IN LBS

NOTE: STUDED MODULE INCLUDES ITEM 1, 11, 12, 13.

**SECTION 7                      DESURGER ASSEMBLY**  
**726-A-1-000**

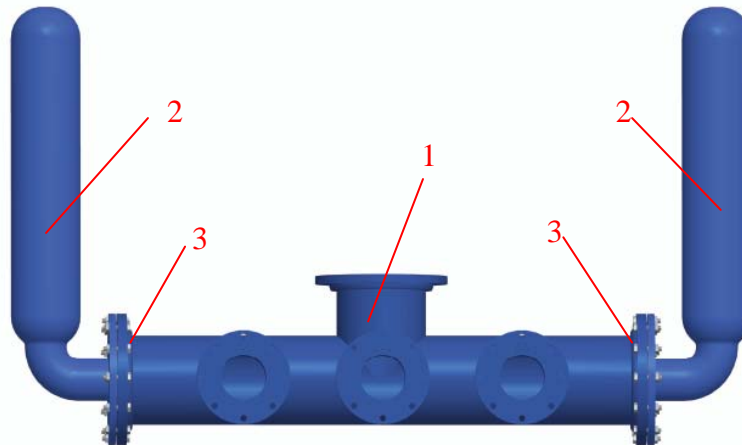
**Option 1:**



ITEM NO.	PART NO.	WT. EA	DESCRIPTION	QTY
1	726-A-1	708.4	SUCTION MANIFOLD	1
2	726-A-1-2	5	DESURGE RUBBER	2
3	726-A-1-1	10	DESURGER RING	2
4	726-A-1-HB		HEX HEAD BOLT, C/W HEX NUT & LOCK WASHER	24

APPROXIMATE FINISHED WEIGHT OF ASSEMBLY = 738 LBS      \*UNITS IN LBS

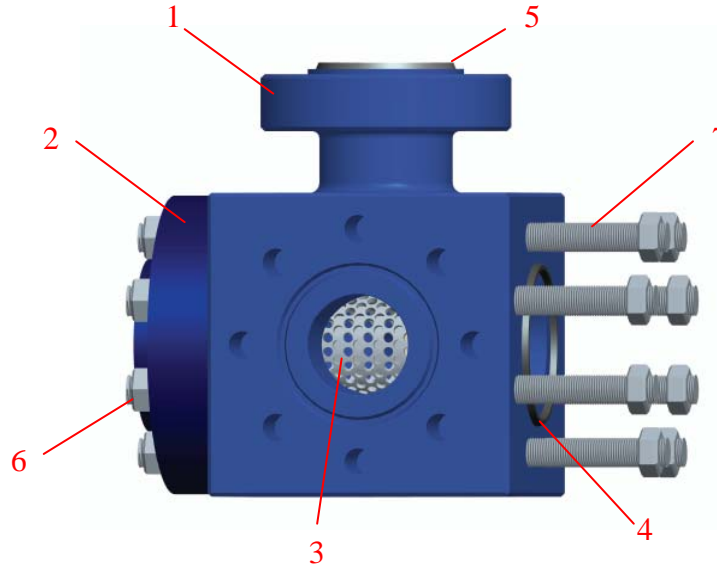
**Option 2:**



ITEM NO.	PART NO.	WT. EA	DESCRIPTION	QTY
1	726-A-1	708.4	SUCTION MANIFOLD	1
2	726-A-20	271	DESURGER	2
2a	726-A-5	101.2	BLANK FLANGE (ALTERNATIVE)	2
3	726-A-1-HB		HEX HEAD BOLT, C/W HEX NUT & LOCK WASHER	24

APPROXIMATE FINISHED WEIGHT OF ASSEMBLY = 980 LBS      \*UNITS IN LBS

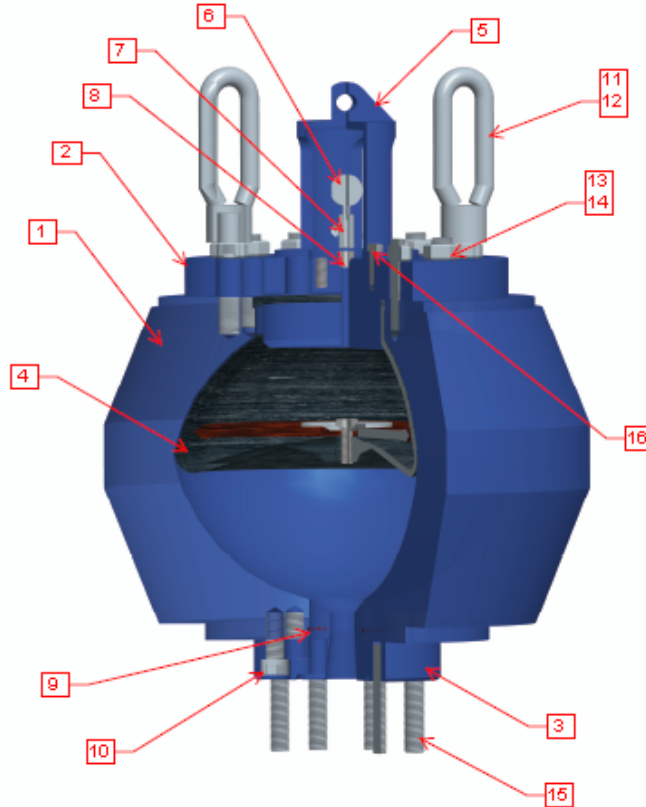
**SECTION 8 STRAINER CROSS ASSEMBLY**  
**726-A-2-000**



ITEM NO.	PART NO.	WT. EA	DESCRIPTION	QTY
1	726-A-2	826	STRAINER CROSS	1
2	726-A-3	132	STRAINER CROSS BULL PLUG FLANGE. 3"X5000 PSI	1
3	726-A-13	9	STRAINER (filter cylinder)	1
4	726-A-2-SL		METAL RING GASKET, R44	2
5	726-A-2-1-G		METAL RING GASKET, R39	1
6	726-A-2-HN	1	HEX NUT, W/LOCK WASHER	32
7	726-A-2-HB	4	STUD	32

APPROXIMATE FINISHED WEIGHT OF ASSEMBLY = 1135 LBS \*UNITS IN LBS

**SECTION 9 PULSATION DAMPENER ASSEMBLY  
726-A-11-000**

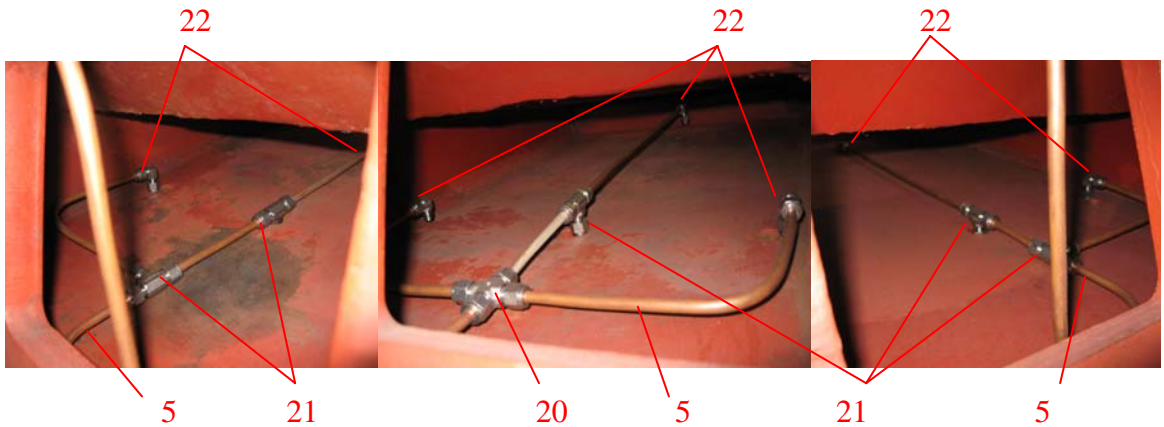
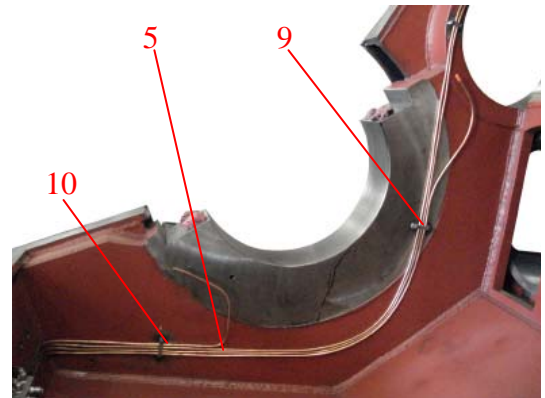
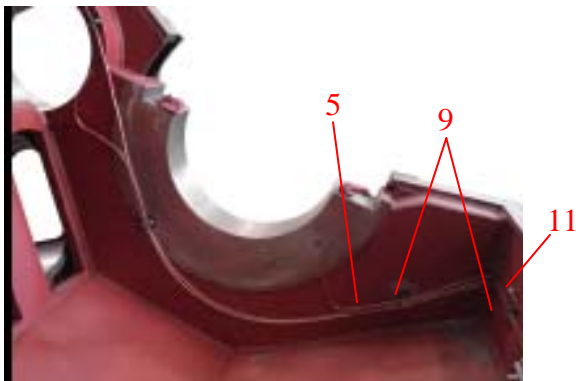
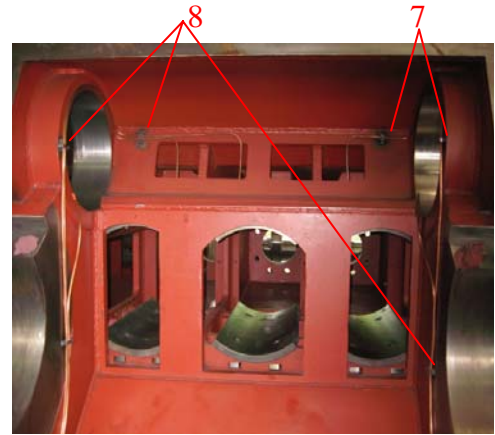
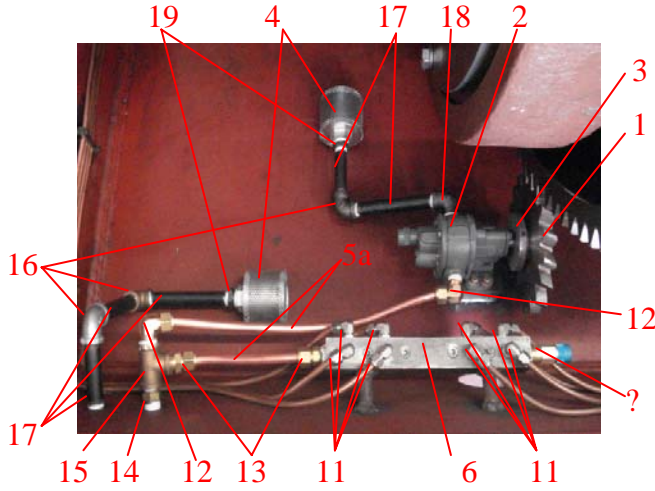


ITEM NO.	PART NO.	WT. EA	DESCRIPTION	QTY
1	726-A-11-1	1936	PULSATION DAMPENER BODY	1
2	726-A-11-2	345.4	PD TOP COVER	1
3	726-A-11-3	74.8	PD BOTTOM FLANGE	1
4	726-A-11-4	20	RUBBER BLADDER KIT	1
5	726-A-11-2-1	-	PD GAUGE PROTECTER	1
6	726-A-11-G		PRESSURE GAUGE, 6000 PSI	1
7	726-A-11-V		4 WAY VALVE	1
8	726-A-11-2-2		VALVE NPT FITTING	1
9	726-A-11-2-SL		PD ADAPTER SEAL	1
10	726-A-11-3-SB		SOCKET HEAD BOLT	8
11	726-A-11-2-1-LE		LIFTING EYE	2
12	726-A-11-2-1-ST		STUD	2
13	726-A-11-2-ST		STUD,	10
14	726-A-11-2-HN		HEX NUT, C/W LOCK WASHER	12
15	726-A-11-3-HB		STUD, C/W HEX NUT & LOCK WASHER	8
16	726-A-11-2-HB		HEX HEAD BOLT, C/W NUT & LOCKWASHER	4

APPROXIMATE FINISHED WEIGHT OF ASSEMBLY = 2400 LBS \*UNITS IN LBS

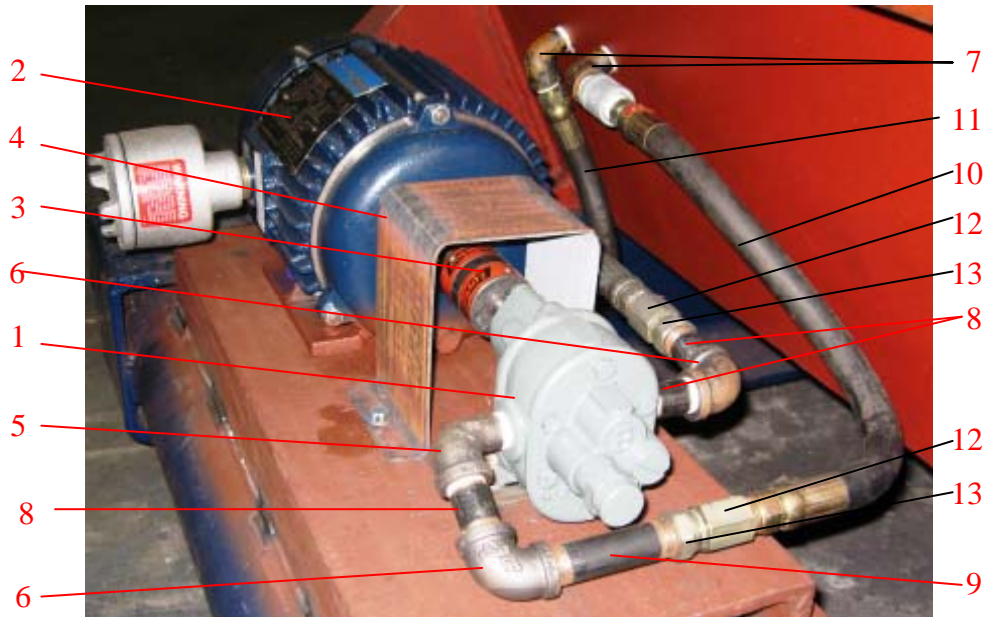
**SECTION 10 LUBRICATION SYSTEM**

**10.1 INTERNAL LUBE SYSTEM**



ITEM NO.	PART NO.	WT. EA	DESCRIPTION	QTY
1	726-L-1	15	LUBE GEAR	1
2	726-L-3		LUBE PUMP, BROWN & SHARPE	1
3	726-L-4		COUPLING	1
4	726-L-2	1	FILTER, ¾" NPTF	1
5	726-L-5		TUBING, ¼" COPPER,LENGTH AS REQUIRED	
5a	726-L-6		TUBING, ½" COPPER,LENGTH AS REQUIRED	
6	726-L-11	10	LUBE MANIFOLD, 8 Ports x ¼" NPTF	1
7	726-L-12-1		LUBE TUBING CLAMP, 1 PORT	2
8	726-L-12-2		LUBE TUBING CLAMP, 2 PORTS	3
9	726-L-12-3		LUBE TUBING CLAMP, 3 PORT	3
10	726-L-12-4		LUBE TUBING CLAMP, 4 PORTS	1
11	726-L-7		MALE ELBOW ¼" PIPE TO ¼" NPT	9
12	726-L-8		MALE ELBOW, ½" PIPE TO ½" NPT	2
13	726-L-9		STRAIGHT, ½" PIPE TO ½" NPT	2
14	726-L-10		COUPLING, ½" NPTMx1/2"NPTM	1
15	726-L-11		TEE, ½" NPTF, Brass	1
16	726-L-12		ELBOW, ½" NPTF.	3
17	726-L-13		NIPPLE, ½" DIA. 6" LONG	5
18	726-L-14		STRAIGHT ELBOW, ½" NPTFx1/2"NPTM	1
19	726-L-15		BUSHING ¾" NPTM x ½"NPTF	2
20	726-L-16		UNION CROSS, ¼"	1
21	726-L-17		UNION TEE , ¼"	5
22	726-L-18		UNION ELBOW, 1/4"	7
23	726-L-19		PRESSURE GAUGE, ¼" NPTM	1

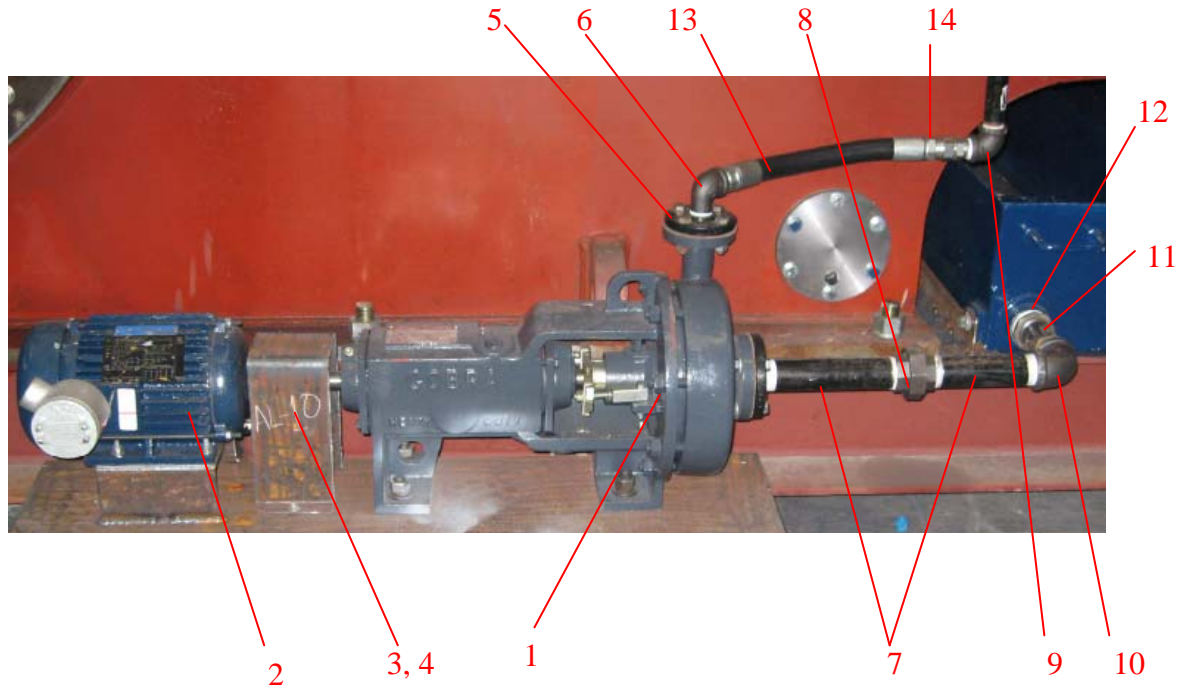
**10.2 EXTERNAL LUBE SYSTEM:**



ITEM NO.	PART NO.	WT. EA	DESCRIPTION	QTY
1	726-L-20		LUB PUMP, BROWN & SHARPE	1
2	726-L-21	50	MOTOR, MARATHON 2HP	1
3	726-L-22		COUPLING	1
4	726-L-23		GUARD	1
5	726-L-24		STRAIGHT ELBOW, 1"	1
6	726-L-25		ELBOW, 90°	2
7	726-L-26		STRAIGHT ELBOW, ½"	2
8	726-L-27		NIPPLE, 4" LONG	3
9	726-L-28		NIPPLE, 6" LONG	1
10	726-L-29		HOSE, 1" DIA., 30" LONG	1
11	726-L-30		HOSE, ½" DIA., 30" LONG	1
12	726-L-31		FEMALE COUPLING, ½"	2
13	726-L-32		BUSHING ½" NPT F X ¾" NPTM	2

**SECTION 11**

**LINER RINSING SYSTEM**



ITEM NO.	PART NO.	WT. EA	DESCRIPTION	QTY
1	726-LR-1		CENTRIFUGAL PUMP	1
2	726-LR-2		MOTOR, 2HP, MARATHON	1
3	726-LR-3		COUPLING, LOVEJOY	1
4	726-LR-4		GUARD	1
5	726-LR-5		FLANGE, 1"X150#	1
6	726-LR-6		STRAIGHT ELBOW, 1"	1
7	726-LR-7		NIPPLE, 1-1/2" , 10" LONG	2
8	726-LR-8		UNION CONNECTOR 1-1/2"	1
9	726-LR-9		ELBOW, 90°,1"	3
10	726-LR-10		ELBOW, 90°, 1-1/2"	1
11	726-LR-11		NIPPLE, 1-1/2"	1
12	726-LR-12		BUSHING, 2" NPTM X1-1/2"NPTF	1
13	726-LR-13		HOSE, $\phi$ 1", 10" LONG	1
14	726-LR-14		HOSE CONNECTOR	8
15	726-LR-15		TEE, 1"	2
16	726-LR-16		PIPE, 1" DIA, 36" LONG	1
17	726-LR-17		PIPE, 1" DIA, 20" LONG	3
18	726-LR-18		HOSE, 1" DIA, 15" LONG	3