



PARTS BOOK
TRIPLEX MUD PUMP
WS-1300/1600

Revision 2

White Star Pump Co.
22718 Commercial Lane, Tomball, Texas 77375
2008



For parts and service contact

White Star sales office

**22718 Commercial Lane, Tomball, Texas 77375
Tel: 281-357-4999 Fax: 281-357-1699**

sales@whitestarpump.com

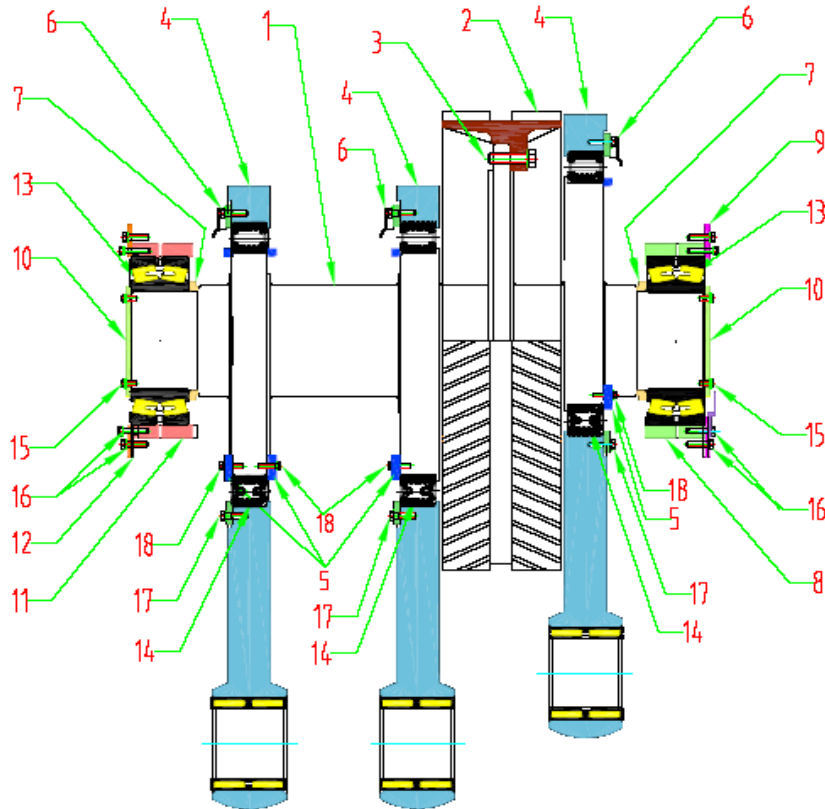
or

**Contact Our Sales Representative
In Your Area**

PARTS LIST FOR CRANKSHAFT ASSEMBLY 726-003

ITEM NO.	PART NO.	WT. EA	DESCRIPTION	QTY
1	726-003	5522	CRANKSHAFT	1
2	726-002	1707	HERRIBONE GEAR	1
3	726-2-HB		HEX BOLT, 1-1/2"-8UNC-2A, 4-1/2" LG	16
4	726-004	1309	CONNECTING ROD	3
5	726-003-27	88	INTERNAL RETAINING RING	4
6	726-003-25	74.8	EXTERNAL RETAINING RING	3
7	726-003-28	11	SPACER	2
8	726-003-23	237.6	MAIN BEARING FIXED CARRIAGE	1
9	726-003-21	48.4	MAIN BEARING RETAINER RING	1
10	726-003-20	19.8	CRANKSHAFT INNER RACE RET. PLATE	2
11	726-003-24	231	MAIN BEARING CARRIAGE	1
12	726-003-26	55	FLOATING BEARING RETAINING RING	1
13	726-003-1	384	MAIN BEARING	2
14	726-004-02	411	CONROD (ECCENTRIC) BEARING	3
15	726-3-20-HB		HEX HEAD BOLT 1" NC, 2-1/4" LG, W/LCK WASHER	8
16	726-3-23-HB		HEX HEAD BOLT 3/4"-10UNC-3A, 2-1/4" LG, W/LOCK WASHER	32
17	726-3-25-HB		HEX HEAD BOLT 3/4"-10UNC-3A, 2-1/4" LG, W/LOCK WASHER	24
18	726-27-HN		HEX HEAD BOLT, 3/4" -10 UNC-2A, 3" LG, W/LOCK WASHER	32
19			1/16" DIA, WIRE (LENGTH AS REQUIRED)	

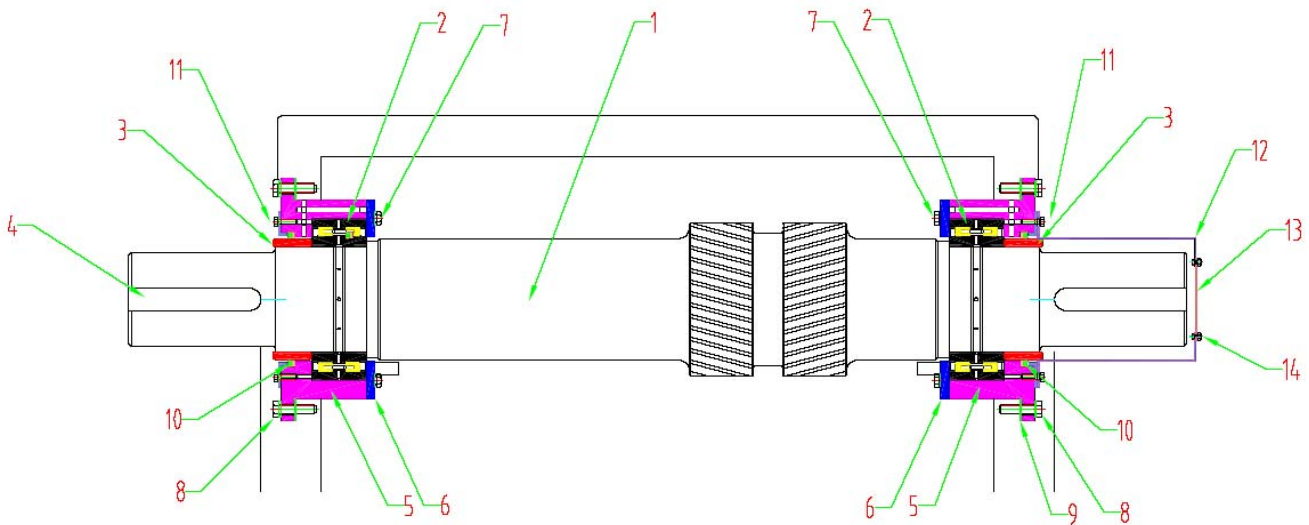
APPROXIMATE FINISHED WEIGHT OF ASSEMBLY = 14900 LBS *UNITS IN LBS



PARTS LIST FOR PINION ASSEMBLY 726-001

ITEM NO.	PART NO.	WT. EA	DESCRIPTION	QTY
1	726-001	2311	PINION	1
2	202-2192	106	PINION BEARING	2
3	726-001-005	23.5	PINION OIL SEAL RACE	2
4	726-1-K	7	KEY 2" X 1" X 11" LONG	1
5	726-001-02	270	PINION BEARING HOUSING	2
6	726-001-1	33	PINION BEARING RETAINER	2
7	726-1-1-HB		HEX HEAD BOLT 3/8" NC, 1-3/4" LG	16
8	726-1-2-HB		HEX HEAD BOLT 1" NC, 3-1/2" LG W/LOCK WASHER	16
9	726-1-2-G		GASKET	2
10	726-1-2-SL		OIL SEAL	2
11	726-1-8-HB		HEX BOLT 3/8"-16UNC-2A, 1-5/8" LG	8
12	726-001-09	10.7	PINION SHAFT PROTECTOR	1
13	726-1-1		END SWING PLATE	1
14	726-1-9-1-HB		HEX BOLT 5/8"-11UNC-2A, 5/8" LG W/NUT	1

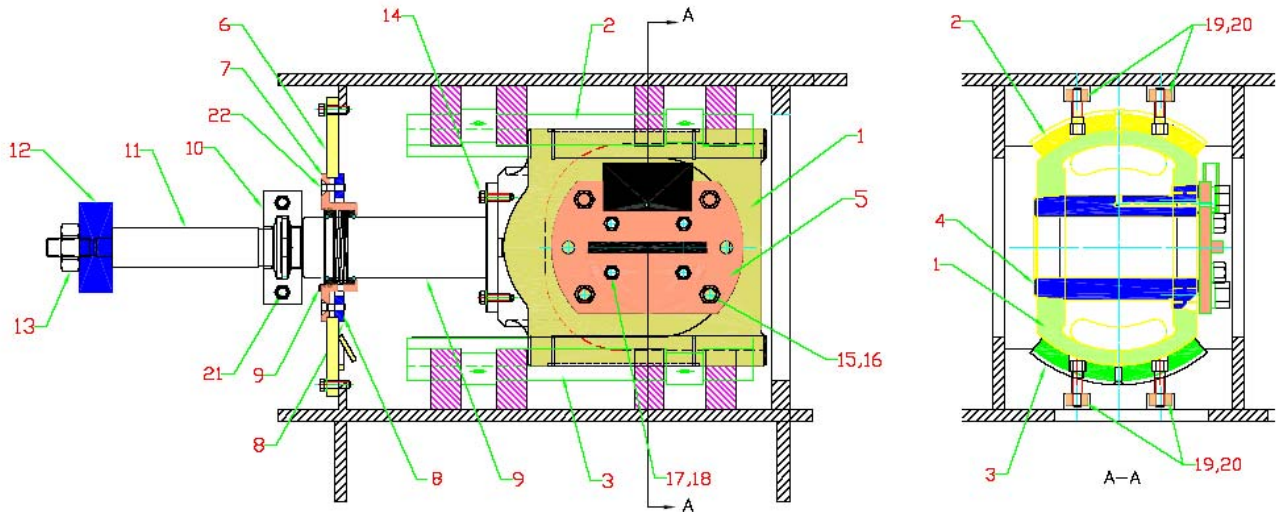
APPROXIMATE FINISHED WEIGHT OF ASSEMBLY = 3300 LBS *UNITS IN LBS



PARTS LIST FOR CROSSHEAD ASSEMBLY 726-006

ITEM NO.	PART NO.	WT. EA	DESCRIPTION	QTY
1	726-006	578.6	CROSSHEAD	3
2	726-6-1-1	154	CROSSHEAD GUIDE TOP	3
3	726-6-1-2	154	CROSSHEAD GUIDE BOTTOM	3
4	726-004-01	169.4	WRIST PIN	3
5	726-6-9	39.6	WRIST PIN RETAINING PLATE	3
6	726-6-2	15	STRIPPER BOX SUPPORT PLATE	3
7	726-6-10-000	44	STRIPPER BOX ASSEMBLY	3
8	726-6-3		STRIPPER BOX RETAINING RING	3
9	726-6-7	140.8	EXTENSION ROD	3
10	726-6-10	48.4	PISTON ROD CLAMP	3
11	726-6-8	41.8	PISTON ROD w/o NUT	3
12	726-6-8-X	10	PISTON	3
13	726-6-8-1-1	1	PISTON ROD NUT	3
14	726-6-7-HB		HEX BOLT, 1"-8UNC-2A, 2-1/4" LG	18
15	726-6-9-HB		HEX BOLT, 1-1/2"-8UNC-2A, 3" LG	12
16	726-6-9-LW		LOCK WASHER	12
17	726-4-1-HB		HEX BOLT, 3/4"-10UNC-2A, 2" LG	12
18	726-4-1-LW		LOCK WASHER	12
19	726-6-11	3.3	TAP PAD	24
20	726-6-11-SB		SOCKET BOLT, 3/4"-10UNC-2A, 3" LG	24
21	726-6-10-HB		HEX BOLT, 7/8"-9UNC-2A, 8" LG	6
22	726-6-3-HB		HEX BOLT, 7/8"-9UNC-2A, 2-1/2" LG	6

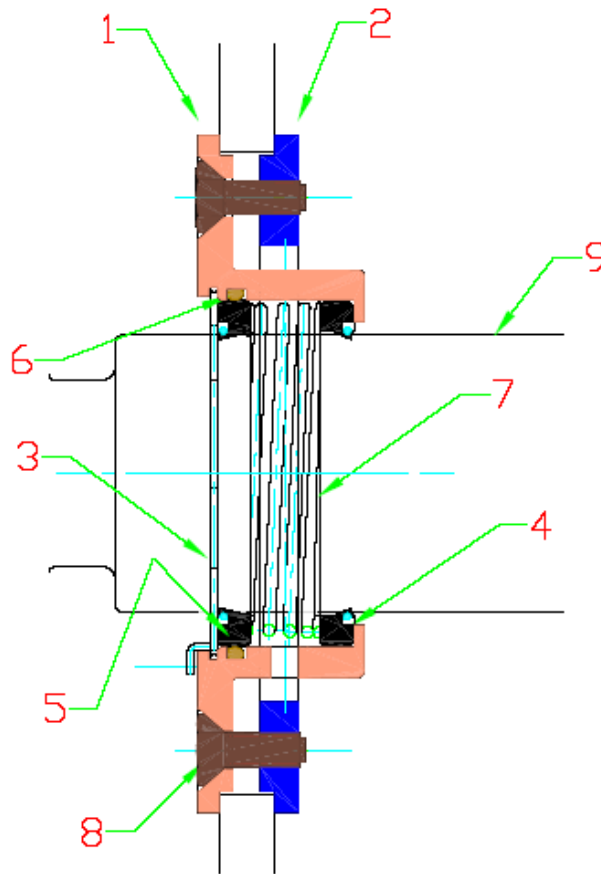
APPROXIMATE FINISHED WEIGHT OF ASSEMBLY = 4450 LBS *UNITS IN LBS



PARTS LIST FOR STRIPPER BOX ASSEMBLY

ITEM NO.	PART NO.	WT. EA	DESCRIPTION	QTY
1	726-6-4		STRIPPER BOX	3
2	726-6-3		STRIPPER BOX RETAINING RING	3
3	726-6-5		STRIPPER BOX RING	3
4	726-6-7-1-SL		EXTENSION ROD PACKING	3
5	726-6-6		LANTERN RING	3

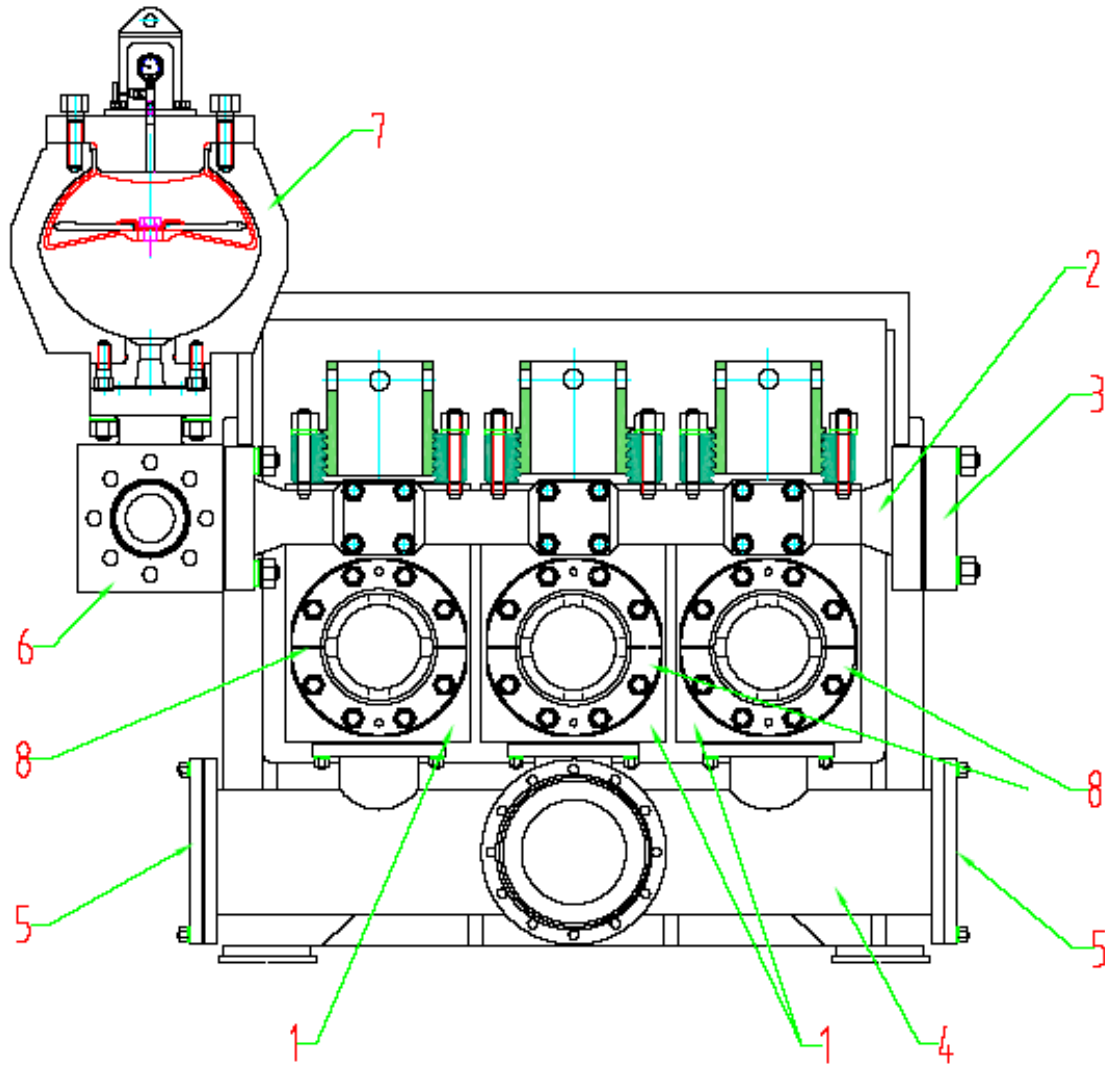
APPROXIMATE FINISHED WEIGHT OF ASSEMBLY = 40 LBS *UNITS IN LBS



PARTS LIST FOR FLUID END ASSEMBLY 726-F-025

ITEM NO.	PART NO.	WT. EA	DESCRIPTION	QTY
1	726-F-025	2235	FLUID MODULE	3
2	726-A-4	770	DISCHARGE MANIFOLD	1
3	726-A-7	167.2	BLANK FLANGE DISCHARGE	1
4	726-A-1	708.4	SUCTION MANIFOLD	1
5	726-A-5	101.2	SUCTION MANIFOLD BLANK FLANGE	2
6	726-A-2	855.8	CROSS STRAINER	1
7	726-A-11-000	2370	PULSATION DAMPENERS	1

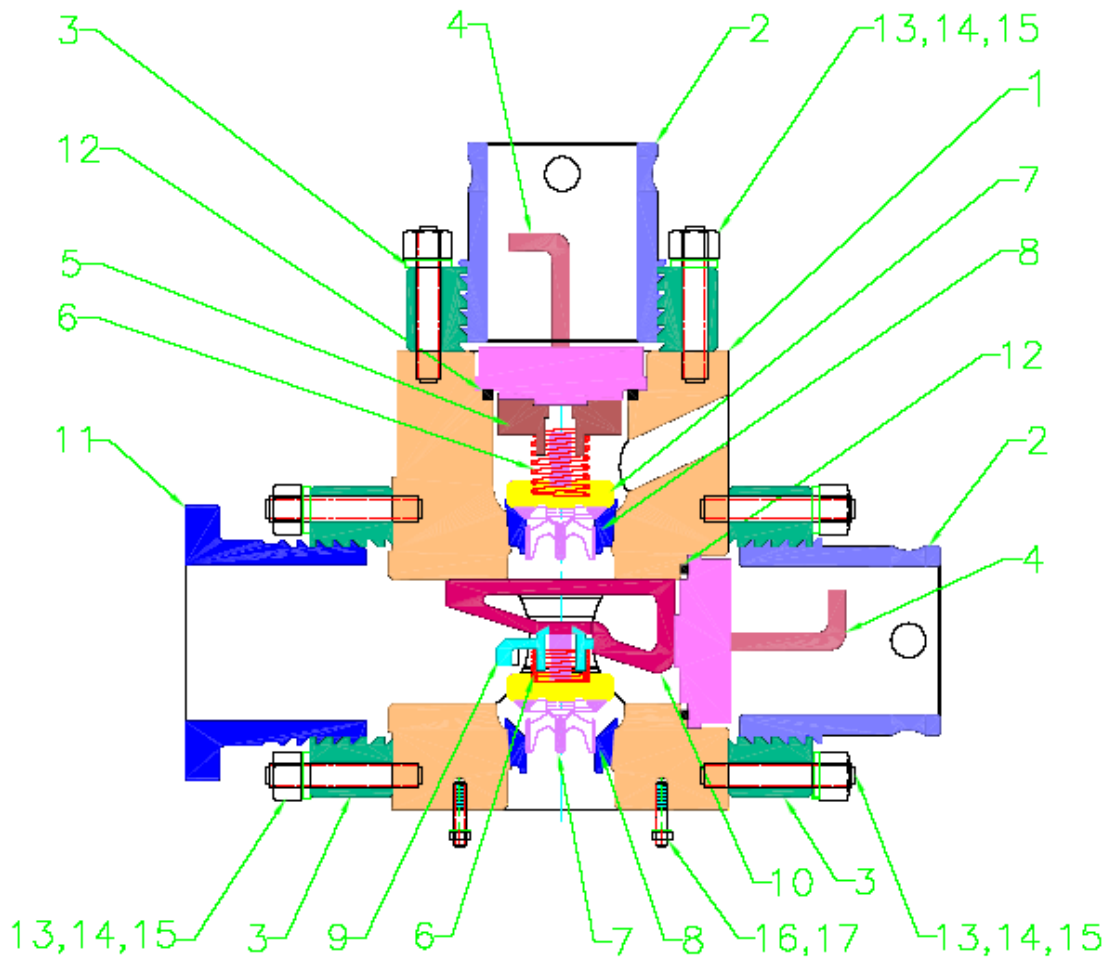
APPROXIMATE FINISHED WEIGHT OF ASSEMBLY = 11680 LBS *UNITS IN LBS



FLUID MODULE ASSEMBLY 726-F-025

ITEM NO.	PART NO.	WT. EA	DESCRIPTION	QTY
1	726-F-025	2235	FLUID MODULE	3
2	726-F-002	121	THREADED PLUG RETAINER	6
3	726-F-001	231	THREADED RING	9
4	726-F-004	44	CYLINDER HEAD PLUG	6
5	726-F-007	5.9	TOP PLUG ADAPTOR	3
6	726-F-72-2	0.5	API #7 SPRING	6
7	726-F-72	5	API#7 VALVE (4-WEB)	6
8	726-F-73	22	API #7 SEAT (4-WEB)	6
9	726-F-006	22	LOWER VALVE GUIDE	3
10	726-F-005	7.7	LOWER VALVE GUIDE RETAINER	3
11	726-F-003	121	THREADED LINER RETAINER	3
12	726-F-004-1	0.2	TOP PLUG SEAL	6
13	726-A-25-ST	5	STUD, 1-1/2"-8UNC-2A, 9" LG	72
14	726-A-25-HN	1	HEX NUT, 1-1/2"-8UNC-2B W/LOCK WASH	72
15	726-F-72-1		VALVE GUIDE BUSHING	6

APPROXIMATE FINISHED WEIGHT OF ASSEMBLY = 11100 LBS *UNITS IN LBS

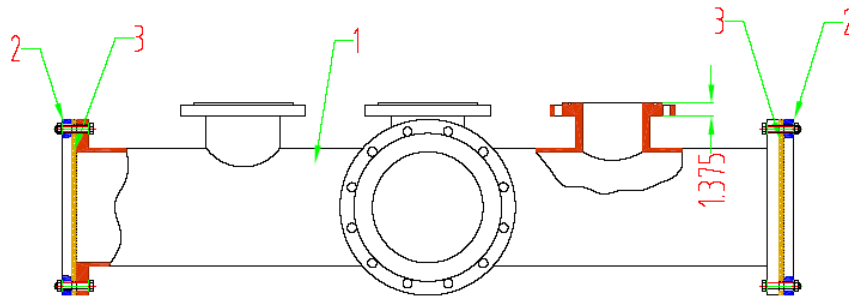


PARTS LIST FOR SUCTION DESURGER ASSEMBLY 726-A-1

Option 1:

ITEM NO.	PART NO.	WT. EA	DESCRIPTION	QTY
1	726-A-1	708.4	SUCTION MANIFOLD	1
2	726-A-1-1	10	DESURGER RING	2
3	726-A-1-2	5	DESURGE RUBBER	2
4	726-A-1-HB		HEX HEAD BOLT, $\frac{3}{4}$ "-10UNC-2A, 3.25" LG	24
5	726-A-1-HN		HEX NUT, $\frac{3}{4}$ "-10UNC-2B, W/LOCK WASHER	24

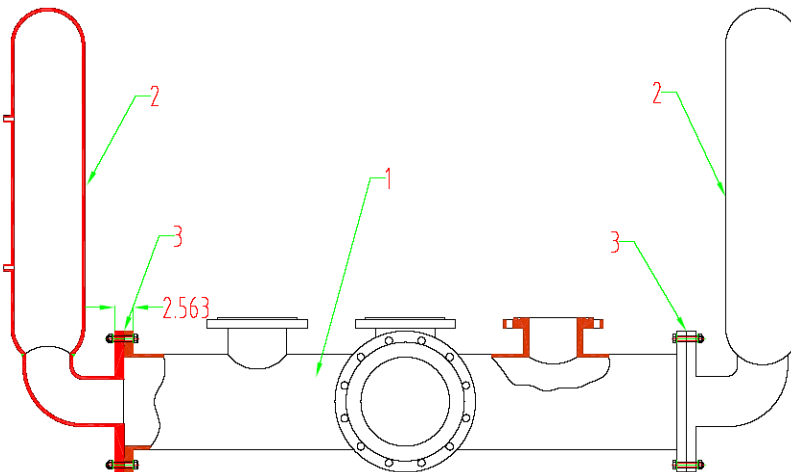
APPROXIMATE FINISHED WEIGHT OF ASSEMBLY = 950 LBS *UNITS IN LBS



Option 2:

ITEM NO.	PART NO.	WT. EA	DESCRIPTION	QTY
1	726-A-1	708.4	SUCTION MANIFOLD	1
2	726-A-5	101.2	SUCTION MANIFOLD BLANK FLANGE	2
3	726-A-21	88	SUCTION DESURGER	2
4	726-A-1-HB		HEX HEAD BOLT, $\frac{3}{4}$ "-10UNC-2A, 3.25" LG	24
5	726-A-1-HN		HEX NUT, $\frac{3}{4}$ "-10UNC-2B, W/LOCK WASHER	24

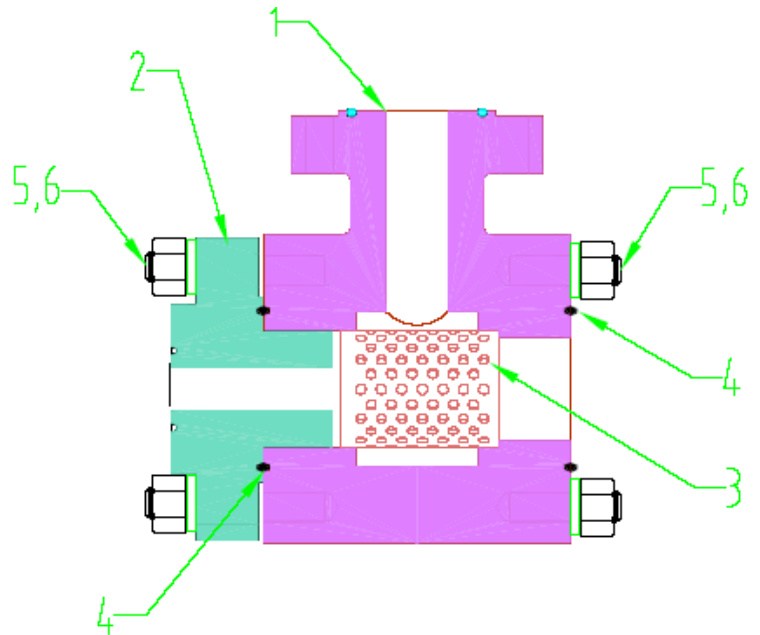
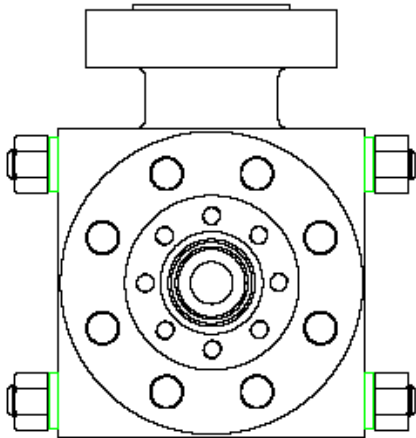
APPROXIMATE FINISHED WEIGHT OF ASSEMBLY = 1050 LBS *UNITS IN LBS



PARTS LIST FOR STRAINER CROSS ASSEMBLY 726-A-2

ITEM NO.	PART NO.	WT. EA	DESCRIPTION	QTY
1	726-A-2	855.8	CROSS STRAINER	1
2	726-A-3	167.2	STRAINER CROSS BULL PLUG FLANGE	1
3	726-A-13	24.2	STRAINER FILTER	1
4	726-A-2-SL		METAL RING GASKET, R44	2
5	726-A-2-HB		STUD ,1-1/2"-8UNC-2A, 9" LG	32
6	726-A-2-HN		HEX NUT,1-1/2"-8UNC-2B, W/LOCK WASHER	32
7	726-A-2-1-G		METAL RING GASKET, R39	1

APPROXIMATE FINISHED WEIGHT OF ASSEMBLY = 1150 LBS *UNITS IN LBS



PARTS LIST FOR PULSATION DAMPENER ASSEMBLY 726-A-11

ITEM NO.	PART NO.	WT. EA	DESCRIPTION	QTY
1	726-A-11-1	1936	PD BODY	1
2	726-A-11-2	345.4	PD TOP COVER	1
3	726-A-11-3	74.8	PD ADPATER	1
4	726-A-11-4-K	20	RUBBER BLADDER KIT	1
5	726-A-11-2-1	-	PD GAUGE PROTECTER	1
6	726-A-11-G		PRESSURE GAUGE, 6000 PSI	1
7	726-A-11-V		4 WAY VALVE	1
8	726-A-11-2-SL		PD ADAPTER SEAL	1
9	726-A-11-3-SB		SOCKET HEAD BOLT 1-1/4"-8UN-2A, 3"LG	8
10	726-A-11-2-LE		LIFTING EYE W/ BOLT	2
11	726-A-11-2-ST		STUD, 1-5/8"-8UN-2A, 7.5"LG	10
12	726-A-11-2-HN		HEX NUT, 1-5/8"-8UN-2B	12
13	726-A-11-3-HB		STUD, 1-1/4"-8UN-2A, 7.5" LG	8
14	726-A-11-3-HN		HEX NUT, 1-1/4"-8UN-2A	8
15	726-A-11-2-HB		HEX HEAD BOLT, 3/4"-10UNC-2A, 2-1/4" LG	4

APPROXIMATE FINISHED WEIGHT OF ASSEMBLY = 2400 LBS *UNITS IN LBS

