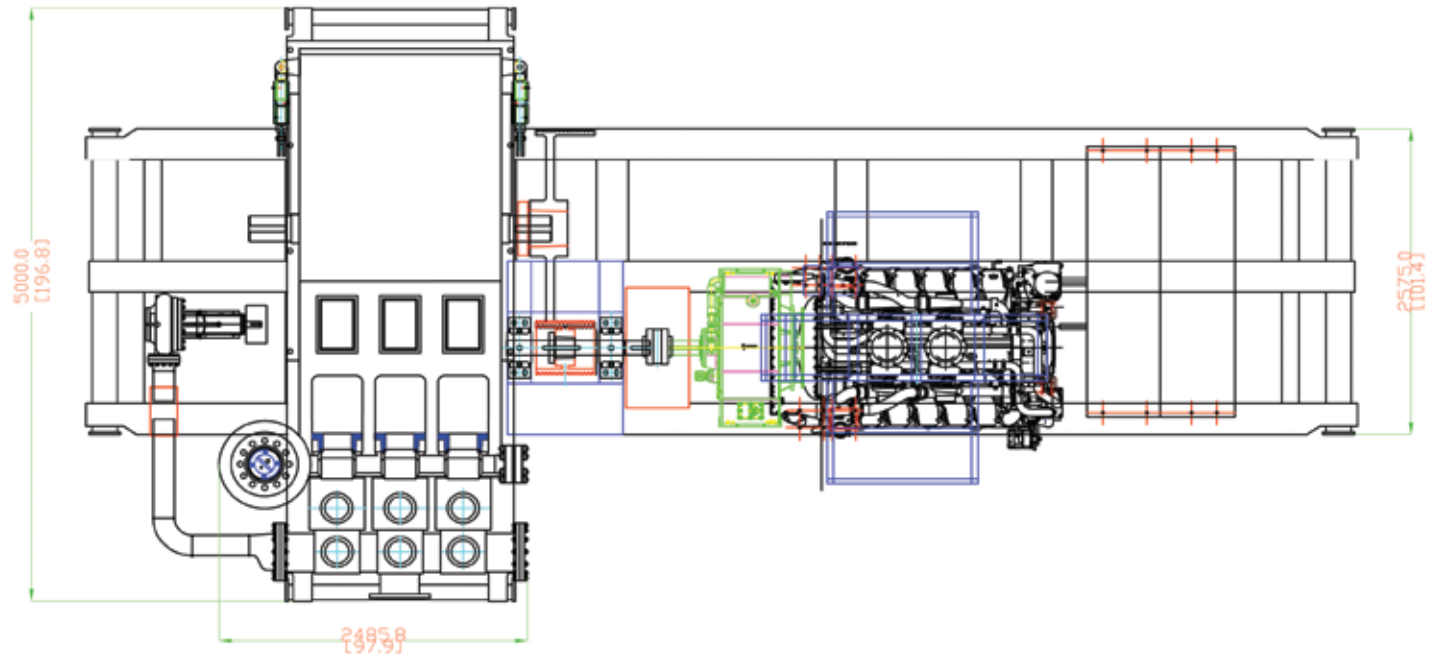
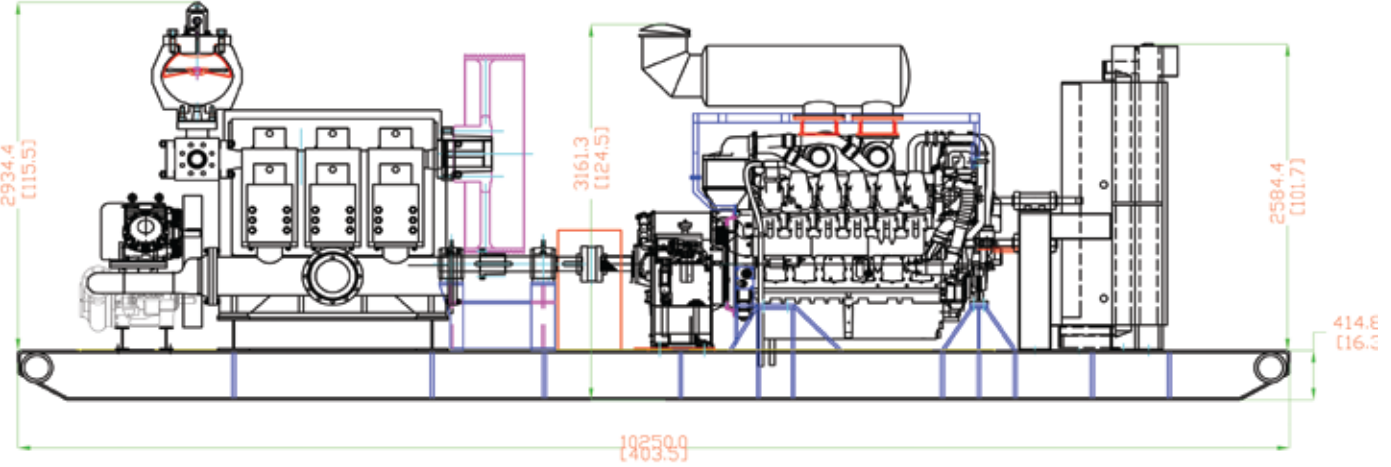
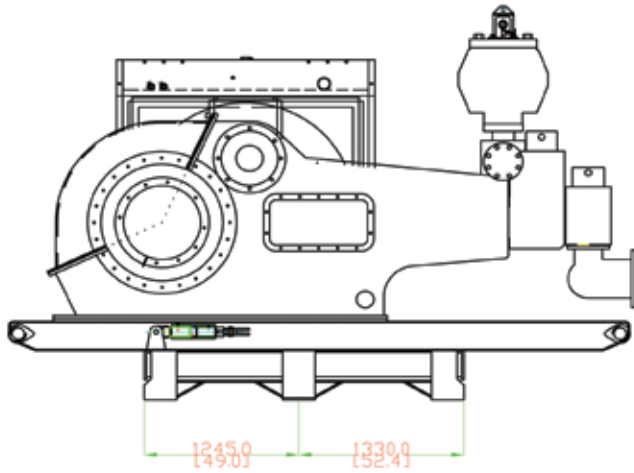


Liner size 7.5 -4 in. (190.5 -101.6 mm)			in.	mm	in.	mm	in.	mm	in.	mm	in.	mm		
			7.5	190.5	7	177.8	6	152.4	5	127	4.5	114.3	4	101.6
Piston stroke volume			Gal.	Litres	Gal.	Litres	Gal.	Litres	Gal.	Litres	Gal.	Litres		
			2.29	8.69	2.00	7.57	1.47	5.56	1.02	3.86	0.83	3.13	0.65	2.47
Vol/Stroke			6.88	26.06	6.00	22.70	4.41	16.68	3.06	11.58	2.48	9.38	1.96	7.41
Max discharge pressure at full flow rate			psi	Kg/cm <sup>2</sup>	psi	Kg/cm <sup>2</sup>	psi	Kg/cm <sup>2</sup>	psi	Kg/cm <sup>2</sup>	psi	Kg/cm <sup>2</sup>		
			2988	210	3430	241	4669	328	6723	473	7500	527	7500	527
Strokes per min SPM	Max Input HP	Hydraulic HP	GPM	LPM	GPM	LPM	GPM	LPM	GPM	LPM	GPM	LPM	GPM	LPM
120	1600	1440	826	3127	720	2724	529	2001	367	1390	297	1126	235	890
110	1467	1320	757	2867	660	2497	485	1835	337	1274	273	1032	215	815
100	1333	1200	688	2606	600	2270	441	1668	306	1158	248	938	196	741
90	1200	1080	620	2345	540	2043	397	1501	275	1042	223	844	176	667
80	1067	960	551	2085	480	1816	352	1334	245	927	198	751	157	593
70	933	840	482	1824	420	1589	308	1168	214	811	173	657	137	519
60	800	720	413	1564	360	1362	264	1001	184	695	149	563	117	445
50	667	600	344	1303	300	1135	220	834	153	579	124	469	98	371

Rated strokes and horsepower: 120 SPM @ 1600 hydraulic horsepower.

Hydraulic horsepower & flow rate based upon 90% mechanical efficiency and 100% volumetric efficiency.





MUD PUMP SKID: 197"X98"x116"  
 MUD PUMP WEIGHT : 62065 LBS (28211KG)  
 ENGINE SKID: 404"X 101.4" X124.5"